

HARVEY FIELD AIRPORT
SNOHOMISH, WA



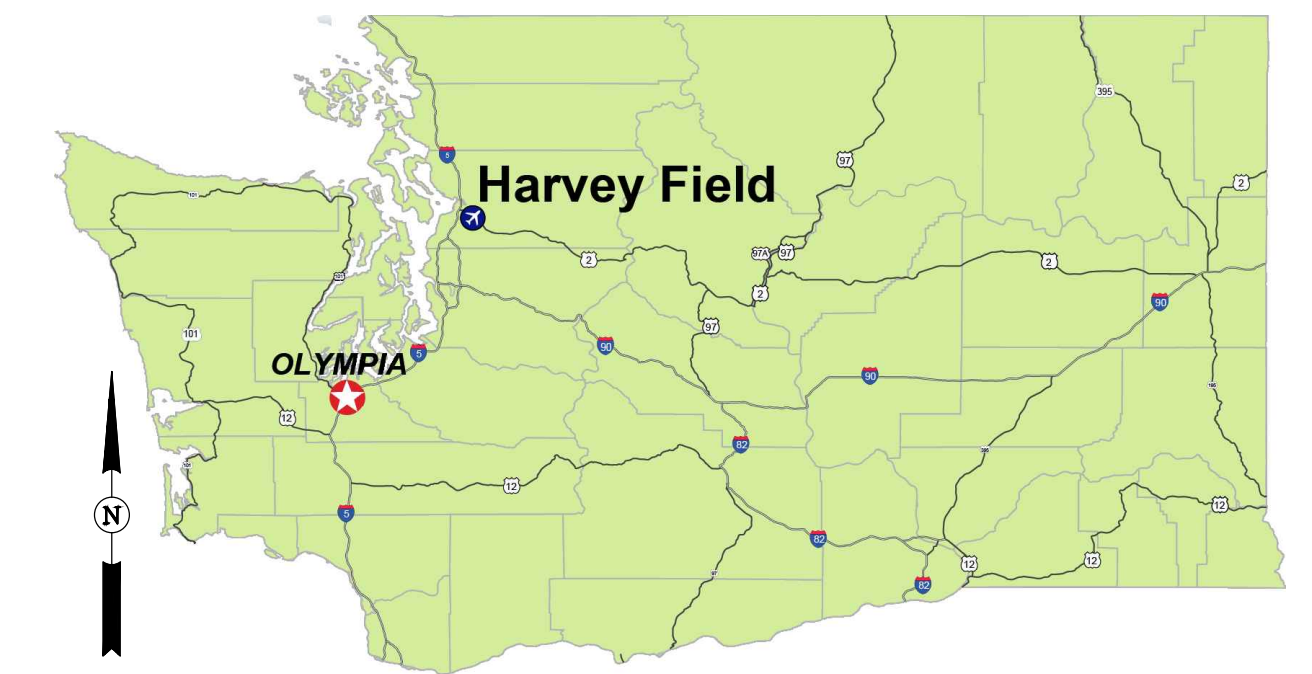
APPENDIX K AIRPORT PROPERTY MAP

HARVEY FIELD AIRPORT

SNOHOMISH, WASHINGTON

AIRPORT LAYOUT PLAN DRAWING SET
SEPTEMBER 2018

INDEX OF DRAWINGS		
SHEET NO.	TITLE	REVISION DATE
01	TITLE SHEET	
02	DATA SHEET	
03	AIRPORT LAYOUT PLAN - EXISTING	
04	AIRPORT LAYOUT PLAN - FUTURE	
05	AIRPORT AIRSPACE DRAWING	
06	RUNWAY 15L/33R AIRPORT AIRSPACE PROFILE	
07	RUNWAY 15R/33L AIRPORT AIRSPACE PROFILE	
08	RUNWAY 15/33 AIRPORT AIRSPACE PROFILE	
09	RUNWAY 15L INNER APPROACH SURFACE DRAWING	
10	RUNWAY 33R INNER APPROACH SURFACE DRAWING	
11	RUNWAY 15R INNER APPROACH SURFACE DRAWING	
12	RUNWAY 33L INNER APPROACH SURFACE DRAWING	
13	RUNWAY 15 INNER APPROACH SURFACE DRAWING	
14	RUNWAY 33 INNER APPROACH SURFACE DRAWING	
15	RUNWAY 15L DEPARTURE SURFACE	
16	RUNWAY 33R DEPARTURE SURFACE	
17	RUNWAY 15 DEPARTURE SURFACE	
18	RUNWAY 33 DEPARTURE SURFACE	
19	LAND USE PLAN	
20	AIRPORT PROPERTY MAP	



LOCATION MAP
NOT TO SCALE



VICINITY MAP
NOT TO SCALE



SPONSOR APPROVAL	
ACCEPTED: HARVEY FIELD AIRPORT	_____
DATE	_____

USA 543-003-2018 (REVISED)
01-543-003-2018-001-001
Sep 21, 2018 - 2:10pm
Sean Johns

JVIATION

HARVEY FIELD
SNOHOMISH, WASHINGTON



DES: R.L.B.	ISSUE RECORD			
	NO.	BY	DATE	DESCRIPTION
DR: R.L.B.				
CH: S.V.B.				
APP: M.C.L.				

THE PREPARATION OF THIS DOCUMENT MAY HAVE BEEN SUPPORTED, IN PART, THROUGH THE AIRPORT IMPROVEMENT PROGRAM FINANCIAL ASSISTANCE FROM THE FEDERAL AVIATION ADMINISTRATION AS PROVIDED UNDER TITLE 49 U.S.C., SECTION 47104. THE CONTENTS DO NOT NECESSARILY REFLECT THE OFFICIAL VIEWS OR POLICY OF THE FAA. ACCEPTANCE OF THIS AIRPORT LAYOUT PLAN BY THE FAA DOES NOT IN ANY WAY CONSTITUTE A COMMITMENT ON THE PART OF THE UNITED STATES TO PARTICIPATE IN ANY DEVELOPMENT DERIVED THEREIN NOR DOES IT INDICATE THAT THE PROPOSED DEVELOPMENT IS ENVIRONMENTALLY ACCEPTABLE OR WOULD HAVE JUSTIFICATION IN ACCORDANCE WITH APPROPRIATE PUBLIC LAWS.

AIRPORT
LAYOUT PLAN

TITLE SHEET

AIP PROJ. NO. 3-53-0070-003-2014	JVIATION PROJ. NO. 2014.S43.01	DATE: SEPTEMBER 2018
-------------------------------------	-----------------------------------	-------------------------

SHEET NO.
01 of 20

RUNWAY DATA TABLE

Table with columns for Runway Identifier, Runway Design Code, Runway Width and Length, Runway Surface Composition, Pavement Design Strength, etc. It is divided into sections for Runway 15L/33R, Runway 15R/33L, and Runway 15/33.

AIRPORT DATA TABLE

Table with columns for Existing and Future conditions. Rows include Airport Reference Code (ARC), Mean Max. Temp., Airport Elevation, Airport & Terminal Navaids, Miscellaneous Facilities, etc.

DECLARED DISTANCES

Table with columns for Runway, Takeoff Run Available (TORA), Takeoff Dist. Available (TODA), Accelerate Stop Dist. Available (ASDA), and Landing Dist. Available (LDA). Rows are listed for runways 15L, 33R, 15R, 33L, 15, and 33.

MODIFICATION TO STANDARDS

Table with columns for Approval Date, Airspace Case No., Standard to be Modified, and Description. It shows no modifications for this project.

TAXIWAY DATA TABLE

Table with columns for Taxiway ID, Existing, and Future conditions. Rows include Width, Safety Area Width (TSA), Object Free Area Width (TOFA), Taxiway Edge Safety Margin (TESM), etc.

RUNWAY END DATA

Table with columns for Runway Identifier, Existing, and Future conditions. Rows include Runway End Elevations, Runway End Coordinates (NAD83), Displaced Threshold Elevation, etc.

ALL WEATHER

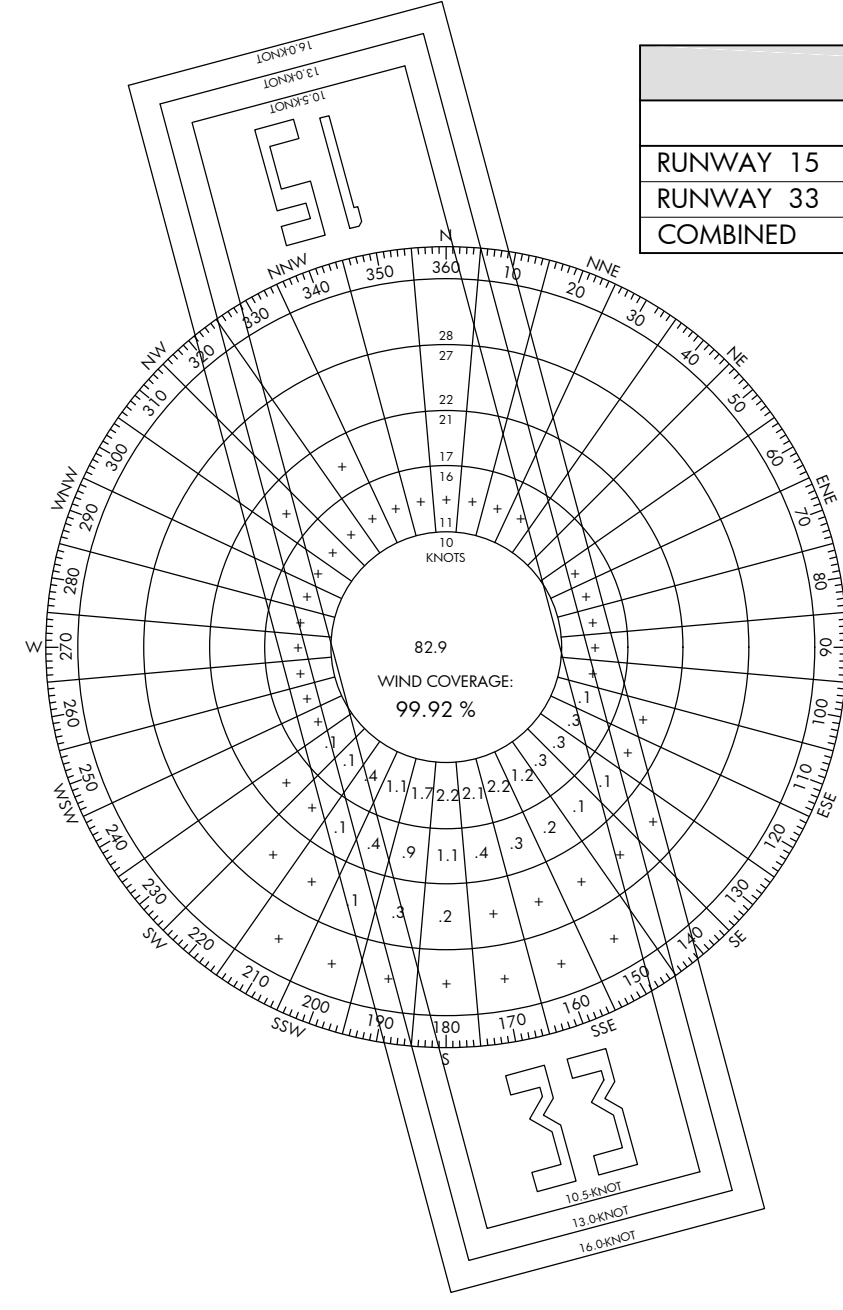
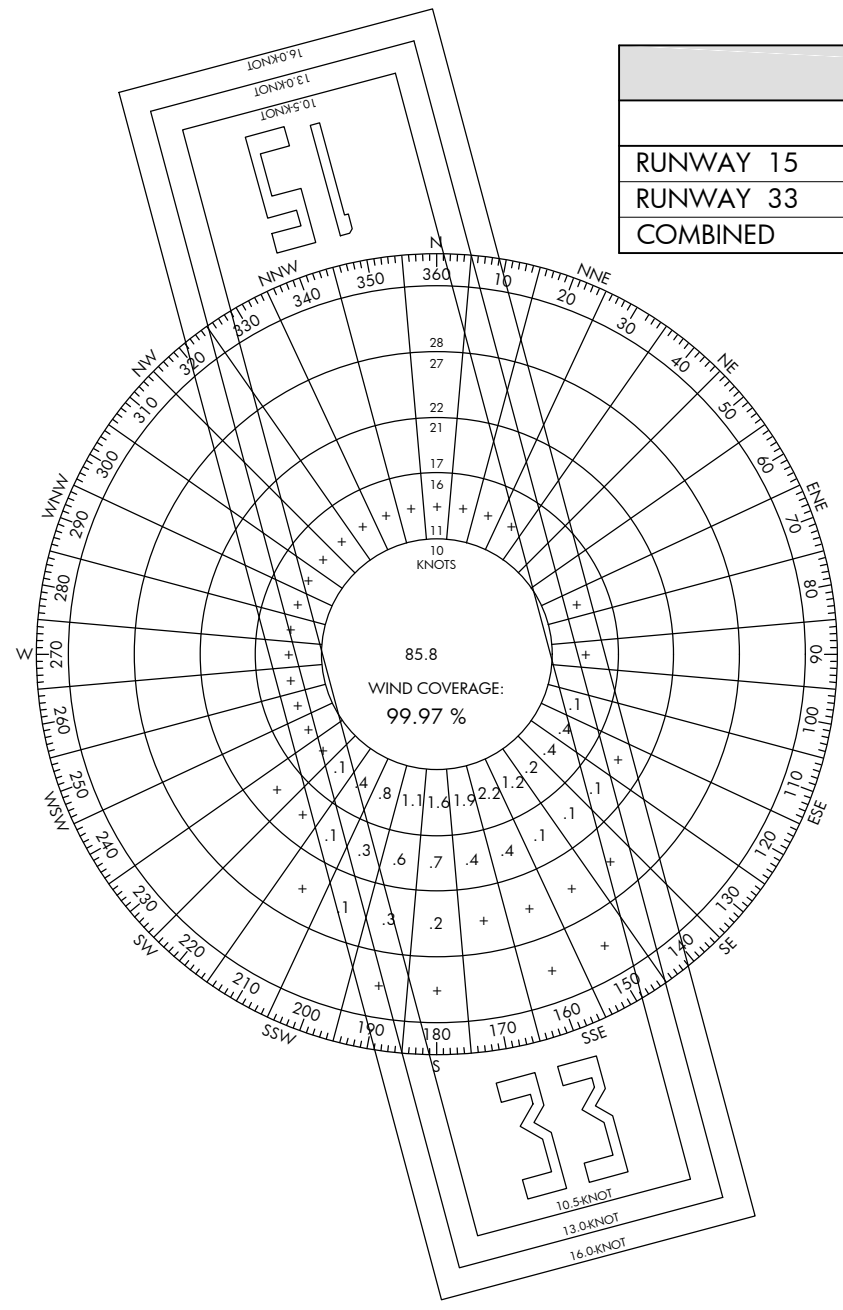
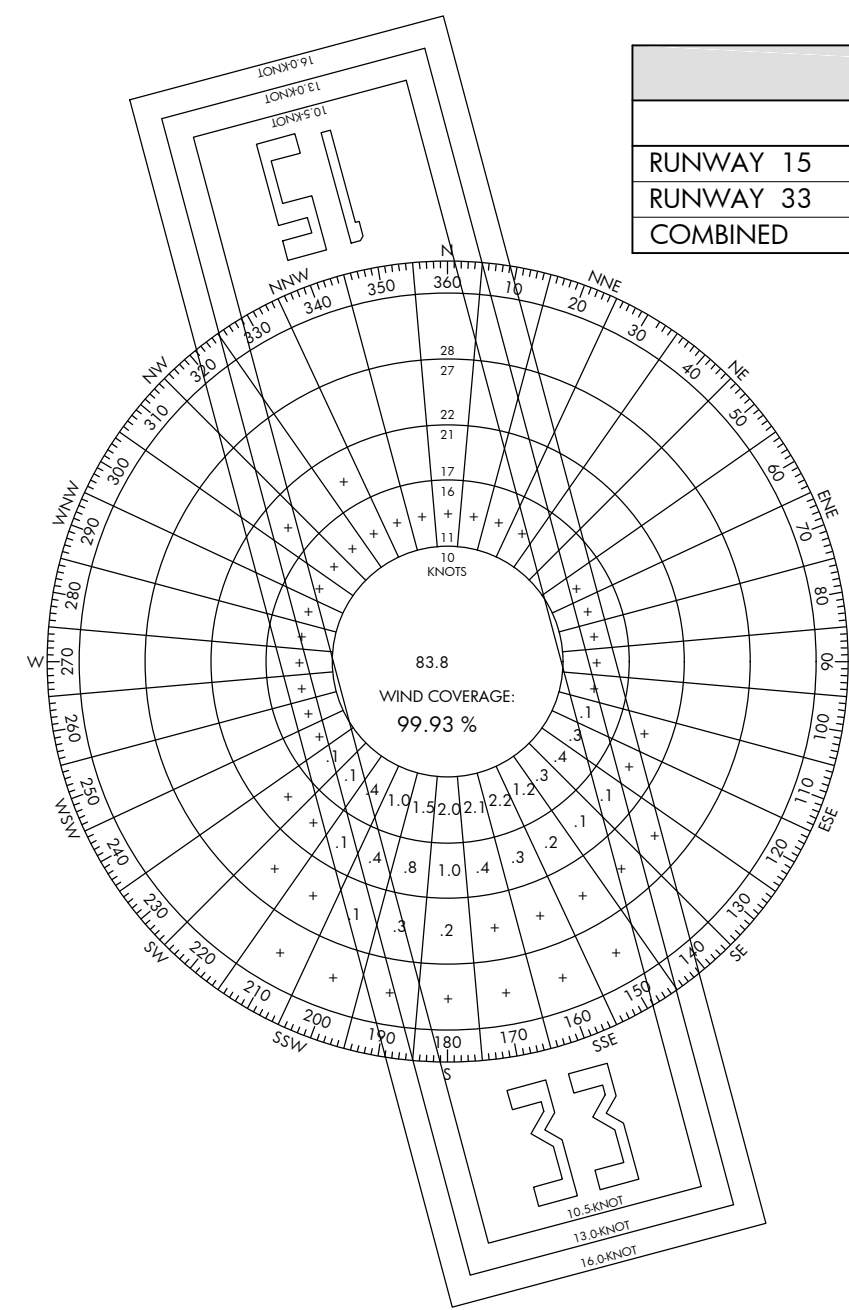
Table with columns for Runway 15, Runway 33, and Combined. Rows show Wind Coverage percentages for 10.5 knots, 13.0 knots, and 16.0 knots.

IFR

Table with columns for Runway 15, Runway 33, and Combined. Rows show Wind Coverage percentages for 10.5 knots, 13.0 knots, and 16.0 knots.

VFR

Table with columns for Runway 15, Runway 33, and Combined. Rows show Wind Coverage percentages for 10.5 knots, 13.0 knots, and 16.0 knots.

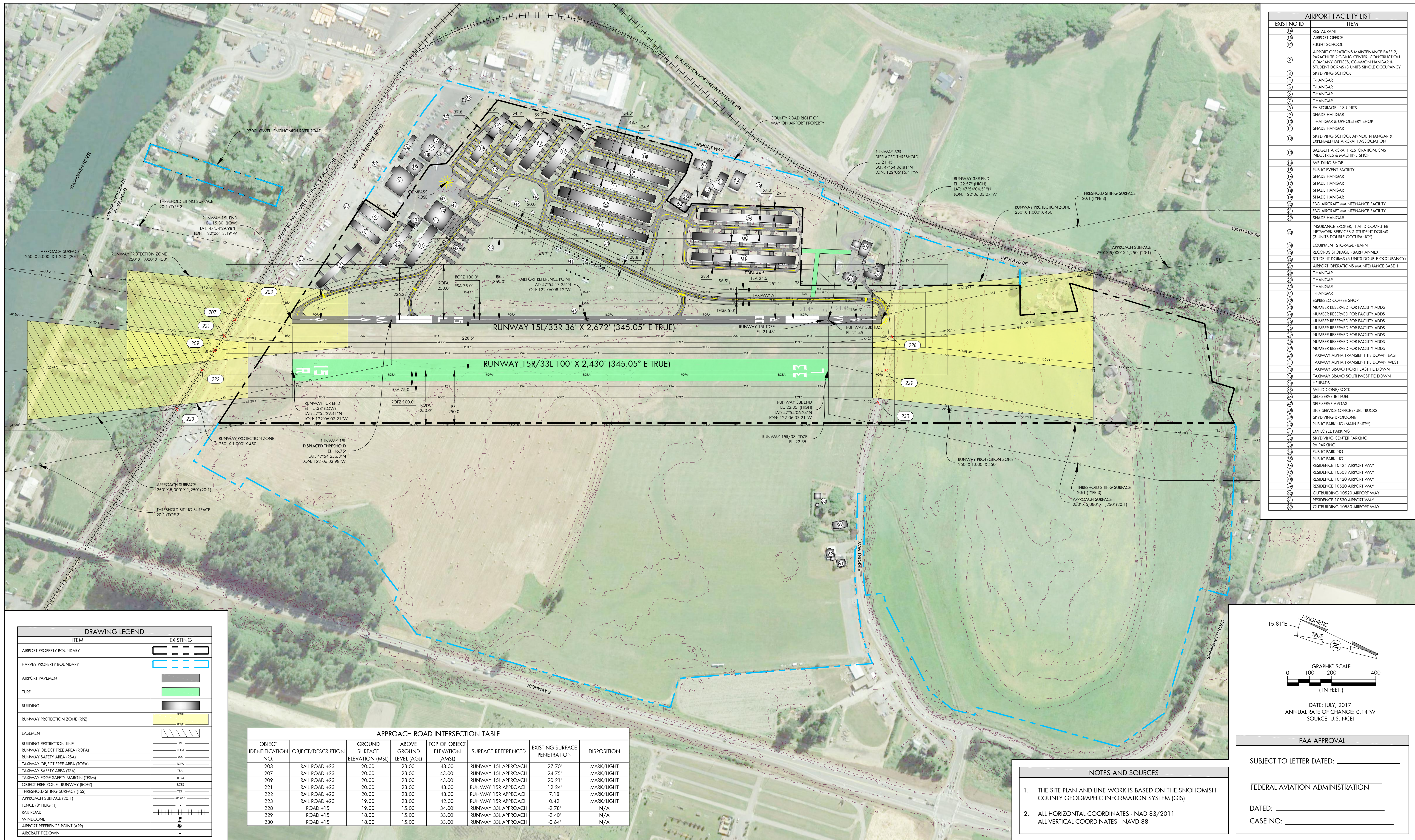


NOTES AND SOURCES

- 1. WIND DATA - NATIONAL OCEANIC AND ATMOSPHERIC ADMINISTRATION, STATION 72793, SNOHOMISH COUNTY AIRPORT PAINE FIELD, WA, PERIOD RECORD 2008-2017
2. MAGNETIC VARIATION- NATIONAL CENTER FOR ENVIRONMENTAL INFORMATION (NCEI), 9/2017
3. ALL HORIZONTAL COORDINATES - NAD 83/ 2011
ALL VERTICAL COORDINATES - NAVD88
4. RUNWAYS MEET LINE OF SIGHT REQUIREMENTS



ISSUE RECORD table with columns for Designator (DES), Drawn (DR), Checked (CH), Approved (APP), No., By, Date, and Description.



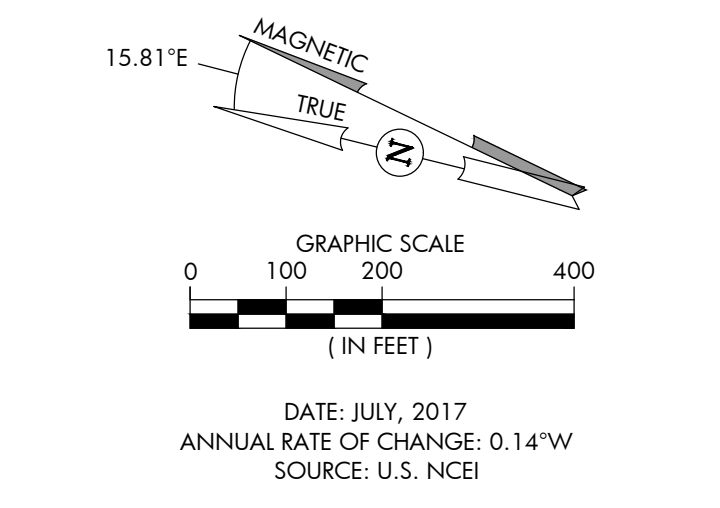
AIRPORT FACILITY LIST	
EXISTING ID	ITEM
1A	RESTAURANT
1B	AIRPORT OFFICE
1C	FLIGHT SCHOOL
2	AIRPORT OPERATIONS MAINTENANCE BASE 2, PARACHUTE RIGGING CENTER, CONSTRUCTION COMPANY OFFICES, COMMON HANGAR & STUDENT DORMS (3 UNITS SINGLE OCCUPANCY, SKYDIVING SCHOOL)
3	THANGAR
4	THANGAR
5	THANGAR
6	THANGAR
7	THANGAR
8	RV STORAGE - 13 UNITS
9	SHADE HANGAR
10	THANGAR & UPHOLSTERY SHOP
11	SHADE HANGAR
12	SKYDIVING SCHOOL ANNEX, THANGAR & EXPERIMENTAL AIRCRAFT ASSOCIATION
13	BADGETT AIRCRAFT RESTORATION, SNS INDUSTRIES & MACHINE SHOP
14	WELDING SHOP
15	PUBLIC EVENT FACILITY
16	SHADE HANGAR
17	SHADE HANGAR
18	SHADE HANGAR
19	SHADE HANGAR
20	FBO AIRCRAFT MAINTENANCE FACILITY
21	FBO AIRCRAFT MAINTENANCE FACILITY
22	SHADE HANGAR
23	INSURANCE BROKER, IT AND COMPUTER NETWORK SERVICES & STUDENT DORMS (3 UNITS DOUBLE OCCUPANCY)
24	EQUIPMENT STORAGE - BARN
25	RECORDS STORAGE - BARN ANNEX
26	STUDENT DORMS (5 UNITS DOUBLE OCCUPANCY)
27	AIRPORT OPERATIONS MAINTENANCE BASE 1
28	THANGAR
29	THANGAR
30	THANGAR
31	THANGAR
32	ESPRESSO COFFEE SHOP
33	NUMBER RESERVED FOR FACILITY ADDS
34	NUMBER RESERVED FOR FACILITY ADDS
35	NUMBER RESERVED FOR FACILITY ADDS
36	NUMBER RESERVED FOR FACILITY ADDS
37	NUMBER RESERVED FOR FACILITY ADDS
38	NUMBER RESERVED FOR FACILITY ADDS
39	NUMBER RESERVED FOR FACILITY ADDS
40	TAXIWAY ALPHA TRANSIENT TIE DOWN EAST
41	TAXIWAY ALPHA TRANSIENT TIE DOWN WEST
42	TAXIWAY BRAVO NORTHEAST TIE DOWN
43	TAXIWAY BRAVO SOUTHWEST TIE DOWN
44	HELIPADS
45	WIND CONE/SOCK
46	SELF-SERVE JET FUEL
47	SELF-SERVE AVIATION
48	LINE SERVICE OFFICE-FUEL TRUCKS
49	SKYDIVING DROPZONE
50	PUBLIC PARKING (MAIN ENTRY)
51	EMPLOYEE PARKING
52	SKYDIVING CENTER PARKING
53	RV PARKING
54	PUBLIC PARKING
55	PUBLIC PARKING
56	RESIDENCE 10424 AIRPORT WAY
57	RESIDENCE 10508 AIRPORT WAY
58	RESIDENCE 10420 AIRPORT WAY
59	RESIDENCE 10520 AIRPORT WAY
60	OUTBUILDING 10520 AIRPORT WAY
61	RESIDENCE 10530 AIRPORT WAY
62	OUTBUILDING 10530 AIRPORT WAY

DRAWING LEGEND	
ITEM	EXISTING
AIRPORT PROPERTY BOUNDARY	---
HARVEY PROPERTY BOUNDARY	---
AIRPORT PAVEMENT	---
TURF	---
BUILDING	---
RUNWAY PROTECTION ZONE (RPZ)	---
EASEMENT	---
BUILDING RESTRICTION LINE	---
RUNWAY OBJECT FREE AREA (ROFA)	---
RUNWAY SAFETY AREA (RSA)	---
TAXIWAY OBJECT FREE AREA (TOFA)	---
TAXIWAY SAFETY AREA (TSA)	---
TAXIWAY EDGE SAFETY MARGIN (TESM)	---
OBJECT FREE ZONE - RUNWAY (ROFZ)	---
THRESHOLD SITING SURFACE (TSS)	---
APPROACH SURFACE (20:1)	---
FENCE (8' HEIGHT)	---
RAIL ROAD	---
WINDCONE	---
AIRPORT REFERENCE POINT (ARP)	---
AIRCRAFT TIEDOWN	---

APPROACH ROAD INTERSECTION TABLE							
OBJECT IDENTIFICATION NO.	OBJECT/DESCRIPTION	GROUND SURFACE ELEVATION (MSL)	ABOVE GROUND LEVEL (AGL)	TOP OF OBJECT ELEVATION (AMSL)	SURFACE REFERENCED	EXISTING SURFACE PENETRATION	DISPOSITION
203	RAIL ROAD +23'	20.00'	23.00'	43.00'	RUNWAY 15L APPROACH	27.70'	MARK/LIGHT
207	RAIL ROAD +23'	20.00'	23.00'	43.00'	RUNWAY 15L APPROACH	24.75'	MARK/LIGHT
209	RAIL ROAD +23'	20.00'	23.00'	43.00'	RUNWAY 15L APPROACH	20.21'	MARK/LIGHT
221	RAIL ROAD +23'	20.00'	23.00'	43.00'	RUNWAY 15R APPROACH	12.24'	MARK/LIGHT
222	RAIL ROAD +23'	20.00'	23.00'	43.00'	RUNWAY 15R APPROACH	7.18'	MARK/LIGHT
223	RAIL ROAD +23'	19.00'	23.00'	42.00'	RUNWAY 15R APPROACH	0.42'	MARK/LIGHT
228	ROAD +15'	19.00'	15.00'	34.00'	RUNWAY 33L APPROACH	-2.78'	N/A
229	ROAD +15'	18.00'	15.00'	33.00'	RUNWAY 33L APPROACH	-2.40'	N/A
230	ROAD +15'	18.00'	15.00'	33.00'	RUNWAY 33L APPROACH	-0.64'	N/A

NOTES AND SOURCES

- THE SITE PLAN AND LINE WORK IS BASED ON THE SNOHOMISH COUNTY GEOGRAPHIC INFORMATION SYSTEM (GIS)
- ALL HORIZONTAL COORDINATES - NAD 83/2011
ALL VERTICAL COORDINATES - NAVD 88



FAA APPROVAL

SUBJECT TO LETTER DATED: _____

FEDERAL AVIATION ADMINISTRATION

DATED: _____

CASE NO: _____

U.S. NAVD - 2011 (BASED)
 103-543-AUP-AUP-EXISTING.dwg
 Sep 21, 2018 - 2:11pm
 Stan-Johns



HARVEY FIELD
SNOHOMISH, WASHINGTON



DES: R.L.B.	ISSUE RECORD			DESCRIPTION
	NO.	BY	DATE	
DR: R.L.B.				
CH: S.V.B.				
APP: M.C.L.				

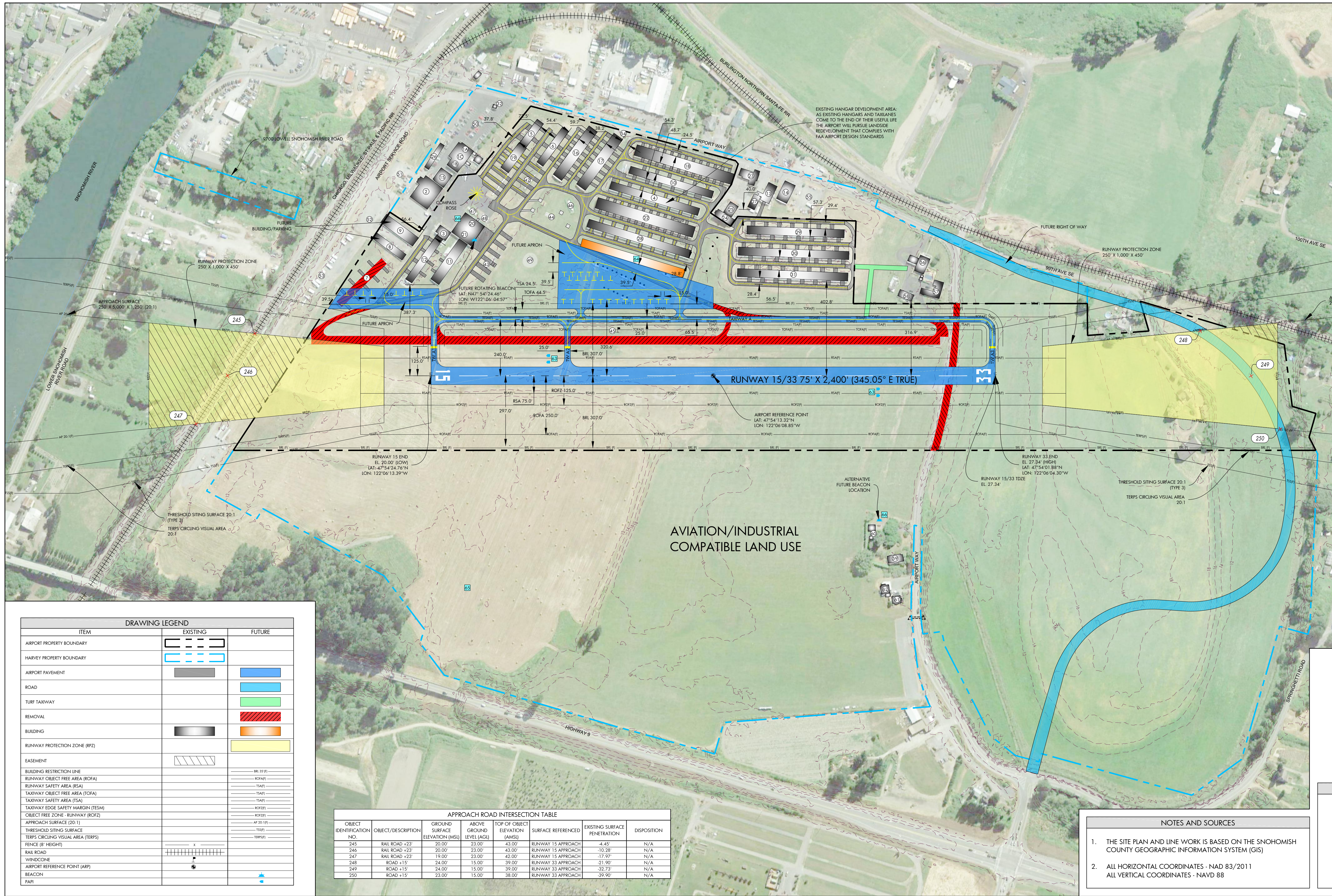
THE PREPARATION OF THIS DOCUMENT MAY HAVE BEEN SUPPORTED, IN PART, THROUGH THE AIRPORT IMPROVEMENT PROGRAM FINANCIAL ASSISTANCE FROM THE FEDERAL AVIATION ADMINISTRATION AS PROVIDED UNDER TITLE 49 U.S.C., SECTION 47104. THE CONTENTS DO NOT NECESSARILY REFLECT THE OFFICIAL VIEWS OR POLICY OF THE FAA. ACCEPTANCE OF THIS AIRPORT LAYOUT PLAN BY THE FAA DOES NOT IN ANY WAY CONSTITUTE A COMMITMENT ON THE PART OF THE UNITED STATES TO PARTICIPATE IN ANY DEVELOPMENT DERIVED THEREIN NOR DOES IT INDICATE THAT THE PROPOSED DEVELOPMENT IS ENVIRONMENTALLY ACCEPTABLE OR WOULD HAVE JUSTIFICATION IN ACCORDANCE WITH APPROPRIATE PUBLIC LAWS.

AIRPORT LAYOUT PLAN

AIRPORT LAYOUT PLAN - EXISTING

AIP PROJ. NO. 3-53-0070-003-2014	JVIATION PROJ. NO. 2014.S43.01	DATE: SEPTEMBER 2018
-------------------------------------	-----------------------------------	-------------------------

SHEET NO.
03 of 20



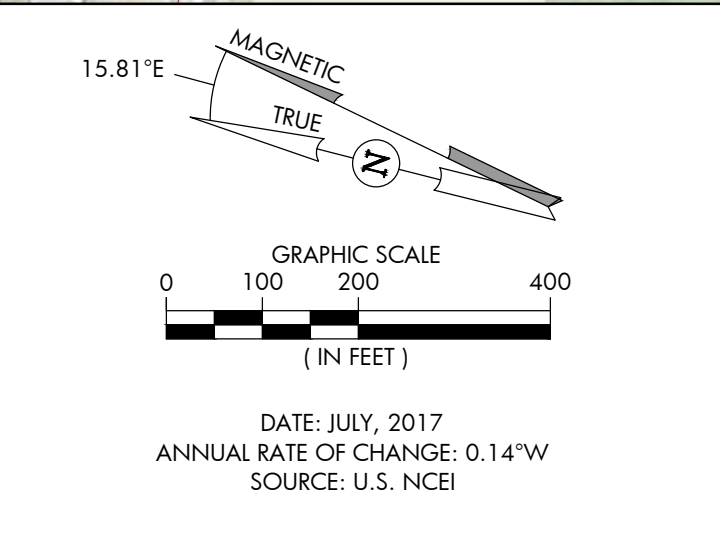
AIRPORT FACILITY LIST		
EXISTING ID	ITEM	FUTURE ID
1A	RESTAURANT	
1B	AIRPORT OFFICE	
1C	FIGHT SCHOOL	
2	AIRPORT OPERATIONS MAINTENANCE BASE 2, PARACHUTE RIGGING CENTER, CONSTRUCTION COMPANY OFFICES, COMMON HANGAR & STUDENT DORMS (3 UNITS SINGLE OCCUPANCY)	
3	SKYDIVING SCHOOL	
4	THANGAR	
5	THANGAR	
6	THANGAR	
7	THANGAR	
8	RY STORAGE - 13 UNITS (TO BE REMOVED)	
9	SHADE HANGAR (TO BE REMOVED)	
10	THANGAR & UPHOLSTERY SHOP	
11	SHADE HANGAR	
12	SKYDIVING SCHOOL ANNEX, THANGAR & EXPERIMENTAL AIRCRAFT ASSOCIATION	
13	BADGETT AIRCRAFT RESTORATION, SNS INDUSTRIES & MACHINE SHOP	
14	WELDING SHOP	
15	PUBLIC EVENT FACILITY	
16	SHADE HANGAR	
17	SHADE HANGAR	
18	SHADE HANGAR	
19	SHADE HANGAR	
20	FBO AIRCRAFT MAINTENANCE FACILITY	
21	FBO AIRCRAFT MAINTENANCE FACILITY	
22	SHADE HANGAR	
23	INSURANCE BROKER, IT AND COMPUTER NETWORK SERVICES & STUDENT DORMS (3 UNITS DOUBLE OCCUPANCY)	
24	EQUIPMENT STORAGE - BARN	
25	RECORDS STORAGE - BARN ANNEX	
26	STUDENT DORMS (5 UNITS DOUBLE OCCUPANCY)	
27	AIRPORT OPERATIONS MAINTENANCE BASE 1	
28	THANGAR	
29	THANGAR	
30	THANGAR	
31	THANGAR	
32	ESPRESSO COFFEE SHOP	
33	NUMBER RESERVED FOR FACILITY ADDS	
34	NUMBER RESERVED FOR FACILITY ADDS	
35	NUMBER RESERVED FOR FACILITY ADDS	
36	NUMBER RESERVED FOR FACILITY ADDS	
37	NUMBER RESERVED FOR FACILITY ADDS	
38	NUMBER RESERVED FOR FACILITY ADDS	
39	NUMBER RESERVED FOR FACILITY ADDS	
40	TAXIWAY BRAVO NORTHEAST TIE DOWN	
41	TAXIWAY BRAVO SOUTHWEST TIE DOWN	
42	HELIPADS	
43	WIND CONE/SOCK	
44	SELF-SERVE JET FUEL	
45	SELF-SERVE AVGAS	
46	LINE SERVICE OFFICE-FUEL TRUCKS	
47	SKYDIVING DROPZONE	
48	PUBLIC PARKING (MAIN ENTRY)	
49	EMPLOYEE PARKING	
50	SKYDIVING CENTER PARKING	
51	RV PARKING	
52	PUBLIC PARKING	
53	PUBLIC PARKING	
54	RESIDENCE 10424 AIRPORT WAY	
55	RESIDENCE 10508 AIRPORT WAY	
56	RESIDENCE 10420 AIRPORT WAY	
57	RESIDENCE 10520 AIRPORT WAY	
58	OUTBUILDING 10520 AIRPORT WAY	
59	RESIDENCE 10530 AIRPORT WAY	
60	OUTBUILDING 10530 AIRPORT WAY	
61	PAPI	63
62	THANGARS	64
	HELIPORT OFFICE	65
	BEACON	66

DRAWING LEGEND		
ITEM	EXISTING	FUTURE
AIRPORT PROPERTY BOUNDARY	[Symbol]	[Symbol]
HARVEY PROPERTY BOUNDARY	[Symbol]	[Symbol]
AIRPORT PAVEMENT	[Symbol]	[Symbol]
ROAD	[Symbol]	[Symbol]
TURF TAXIWAY	[Symbol]	[Symbol]
REMOVAL	[Symbol]	[Symbol]
BUILDING	[Symbol]	[Symbol]
RUNWAY PROTECTION ZONE (RPZ)	[Symbol]	[Symbol]
EASEMENT	[Symbol]	[Symbol]
BUILDING RESTRICTION LINE	[Symbol]	[Symbol]
RUNWAY OBJECT FREE AREA (ROFA)	[Symbol]	[Symbol]
RUNWAY SAFETY AREA (RSA)	[Symbol]	[Symbol]
TAXIWAY OBJECT FREE AREA (TOFA)	[Symbol]	[Symbol]
TAXIWAY SAFETY AREA (TSA)	[Symbol]	[Symbol]
TAXIWAY EDGE SAFETY MARGIN (TESM)	[Symbol]	[Symbol]
OBJECT FREE ZONE - RUNWAY (OFZ)	[Symbol]	[Symbol]
APPROACH SURFACE (20:1)	[Symbol]	[Symbol]
THRESHOLD SITING SURFACE	[Symbol]	[Symbol]
TERPS CIRCLING VISUAL AREA (TERPS)	[Symbol]	[Symbol]
FENCE (8' HEIGHT)	[Symbol]	[Symbol]
RAIL ROAD	[Symbol]	[Symbol]
WIND CONE	[Symbol]	[Symbol]
AIRPORT REFERENCE POINT (ARP)	[Symbol]	[Symbol]
BEACON	[Symbol]	[Symbol]
PAPI	[Symbol]	[Symbol]

APPROACH ROAD INTERSECTION TABLE							
OBJECT IDENTIFICATION NO.	OBJECT/DESCRIPTION	GROUND SURFACE ELEVATION (MSL)	ABOVE GROUND LEVEL (AGL)	TOP OF OBJECT ELEVATION (AMSL)	SURFACE REFERENCED	EXISTING SURFACE PENETRATION	DISPOSITION
245	RAIL ROAD +23'	20.00'	23.00'	43.00'	RUNWAY 15 APPROACH	-4.45'	N/A
246	RAIL ROAD +23'	20.00'	23.00'	43.00'	RUNWAY 15 APPROACH	-10.28'	N/A
247	RAIL ROAD +23'	19.00'	23.00'	42.00'	RUNWAY 15 APPROACH	-17.97'	N/A
248	ROAD +15'	24.00'	15.00'	39.00'	RUNWAY 33 APPROACH	-21.90'	N/A
249	ROAD +15'	24.00'	15.00'	39.00'	RUNWAY 33 APPROACH	-32.73'	N/A
250	ROAD +15'	23.00'	15.00'	38.00'	RUNWAY 33 APPROACH	-39.90'	N/A

NOTES AND SOURCES

- THE SITE PLAN AND LINE WORK IS BASED ON THE SNOHOMISH COUNTY GEOGRAPHIC INFORMATION SYSTEM (GIS)
- ALL HORIZONTAL COORDINATES - NAD 83/2011
ALL VERTICAL COORDINATES - NAVD 88



FAA APPROVAL

SUBJECT TO LETTER DATED: _____

FEDERAL AVIATION ADMINISTRATION

DATED: _____

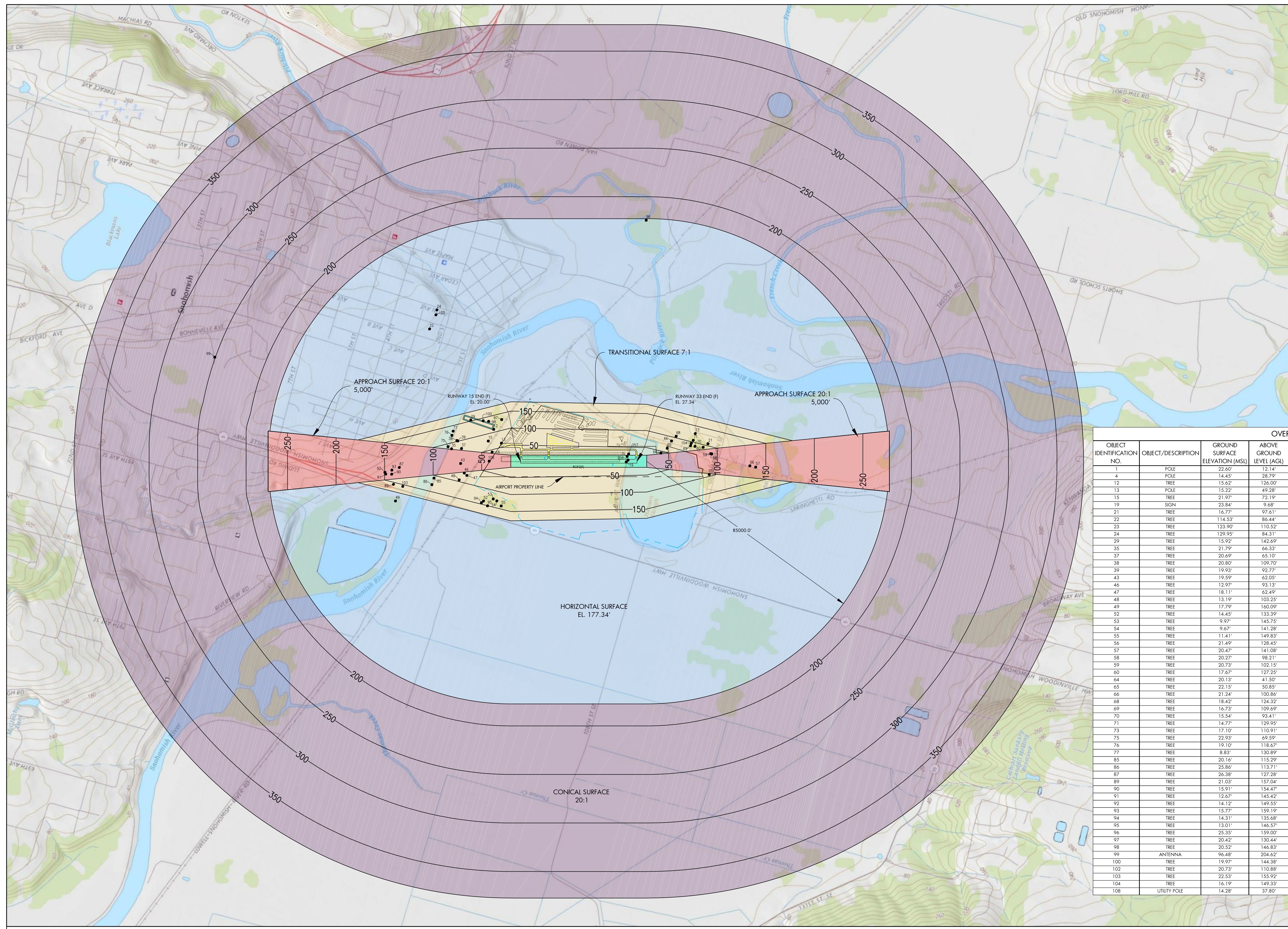
CASE NO: _____



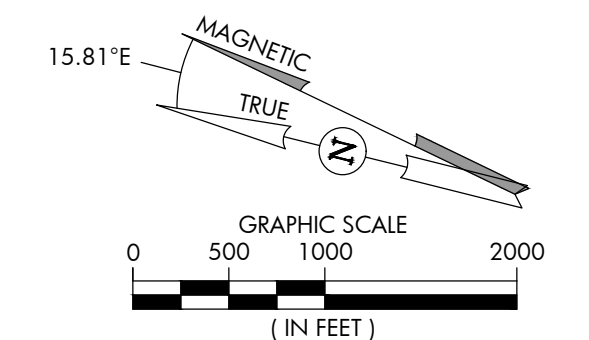
DES: R.L.B.	ISSUE RECORD			
	NO.	BY	DATE	DESCRIPTION
DR: R.L.B.				
CH: S.V.B.				
APP: M.C.L.				

THE PREPARATION OF THIS DOCUMENT MAY HAVE BEEN SUPPORTED, IN PART, THROUGH THE AIRPORT IMPROVEMENT PROGRAM FINANCIAL ASSISTANCE FROM THE FEDERAL AVIATION ADMINISTRATION AS PROVIDED UNDER TITLE 49 U.S.C., SECTION 47104. THE CONTENTS DO NOT NECESSARILY REFLECT THE OFFICIAL VIEWS OR POLICY OF THE FAA. ACCEPTANCE OF THIS AIRPORT LAYOUT PLAN BY THE FAA DOES NOT IN ANY WAY CONSTITUTE A COMMITMENT ON THE PART OF THE UNITED STATES TO PARTICIPATE IN ANY DEVELOPMENT EXPEDITED THEREIN NOR DOES IT INDICATE THAT THE PROPOSED DEVELOPMENT IS ENVIRONMENTALLY ACCEPTABLE OR WOULD HAVE JUSTIFICATION IN ACCORDANCE WITH APPROPRIATE PUBLIC LAWS.

AIRPORT LAYOUT PLAN		AIRPORT LAYOUT PLAN - FUTURE	
AIP PROJ. NO. 3-53-0070-003-2014	JVIATION PROJ. NO. 2014.S43.01	DATE: SEPTEMBER 2018	SHEET NO. 04 of 20



- NOTES AND SOURCES**
1. ALL HORIZONTAL COORDINATES - NAD 83/2011
ALL VERTICAL COORDINATES - NAVD 88
 2. OBSTRUCTION DATA FROM AGIS SURVEY PRODUCED BY WSP (6/30/2016)
 3. AIRSPACE BASED ON FUTURE RUNWAY 15/33



DATE: JULY, 2017
ANNUAL RATE OF CHANGE: 0.14"W
SOURCE: U.S. NCEI

- LEGEND**
- APPROACH SURFACE
 - CONICAL SURFACE
 - HORIZONTAL SURFACE
 - PRIMARY SURFACE
 - TRANSITIONAL SURFACE

OVERALL TABLE							
OBJECT IDENTIFICATION NO.	OBJECT/DESCRIPTION	GROUND SURFACE ELEVATION (MSL)	ABOVE GROUND LEVEL (AGL)	TOP OF OBJECT ELEVATION (AMSL)	SURFACE REFERENCED	EXISTING SURFACE PENETRATION	DISPOSITION
1	POLE	22.60'	12.14'	34.74'	PRIMARY	8.46'	MARK/LIGHT
4	POLE	14.45'	28.79'	43.24'	TRANSITIONAL	0.13'	MARK/LIGHT
12	TREE	15.62'	126.00'	141.62'	TRANSITIONAL	32.76'	REMOVE
13	POLE	15.22'	49.28'	64.50'	TRANSITIONAL	1.67'	MARK/LIGHT
15	TREE	21.97'	72.19'	94.16'	TRANSITIONAL	15.69'	REMOVE
19	SIGN	23.84'	9.68'	33.52'	PRIMARY	7.29'	MARK/LIGHT
21	TREE	16.77'	97.61'	114.38'	TRANSITIONAL	8.10'	REMOVE
22	TREE	114.53'	86.44'	200.97'	HORIZONTAL	23.63'	REMOVE
23	TREE	123.90'	110.52'	234.42'	HORIZONTAL	57.08'	REMOVE
24	TREE	129.95'	84.31'	214.26'	HORIZONTAL	36.92'	REMOVE
29	TREE	15.92'	142.69'	158.62'	TRANSITIONAL	5.44'	REMOVE
35	TREE	21.79'	66.33'	88.12'	TRANSITIONAL	5.50'	REMOVE
37	TREE	20.69'	65.10'	85.79'	TRANSITIONAL	9.65'	REMOVE
38	TREE	20.80'	109.70'	130.50'	TRANSITIONAL	27.39'	REMOVE
39	TREE	19.93'	92.77'	112.70'	TRANSITIONAL	11.61'	REMOVE
43	TREE	19.59'	62.05'	81.63'	RUNWAY 15 APPROACH	9.91'	REMOVE
46	TREE	12.97'	93.13'	106.10'	TRANSITIONAL	35.11'	REMOVE
47	TREE	18.11'	62.49'	80.60'	TRANSITIONAL	4.75'	REMOVE
48	TREE	13.19'	103.25'	116.44'	TRANSITIONAL	21.49'	REMOVE
49	TREE	17.79'	160.09'	177.88'	HORIZONTAL	0.54'	REMOVE
52	TREE	14.45'	133.39'	147.84'	TRANSITIONAL	8.66'	REMOVE
53	TREE	9.97'	145.75'	155.73'	TRANSITIONAL	29.85'	REMOVE
54	TREE	9.67'	141.28'	150.95'	TRANSITIONAL	21.97'	REMOVE
55	TREE	11.41'	149.83'	161.24'	TRANSITIONAL	20.64'	REMOVE
56	TREE	21.49'	128.45'	149.94'	RUNWAY 33 APPROACH	15.39'	REMOVE
57	TREE	20.47'	141.08'	161.55'	RUNWAY 33 APPROACH	21.99'	REMOVE
58	TREE	20.27'	98.21'	118.48'	RUNWAY 33 APPROACH	24.21'	REMOVE
59	TREE	20.73'	102.15'	122.88'	RUNWAY 33 APPROACH	29.57'	REMOVE
60	TREE	17.67'	127.25'	144.92'	TRANSITIONAL	52.66'	REMOVE
64	TREE	20.13'	41.50'	61.63'	TRANSITIONAL	17.42'	REMOVE
65	TREE	22.15'	50.85'	73.00'	TRANSITIONAL	9.82'	REMOVE
66	TREE	21.24'	100.86'	122.10'	TRANSITIONAL	32.33'	REMOVE
68	TREE	18.42'	124.32'	142.73'	TRANSITIONAL	37.74'	REMOVE
69	TREE	16.73'	109.69'	126.42'	TRANSITIONAL	38.77'	REMOVE
70	TREE	15.54'	93.41'	108.95'	TRANSITIONAL	19.78'	REMOVE
71	TREE	14.77'	129.95'	144.72'	TRANSITIONAL	39.11'	REMOVE
73	TREE	17.10'	110.91'	128.01'	TRANSITIONAL	1.01'	REMOVE
75	TREE	22.93'	69.59'	92.52'	TRANSITIONAL	0.99'	REMOVE
76	TREE	19.10'	118.47'	137.57'	TRANSITIONAL	15.79'	REMOVE
77	TREE	8.83'	130.89'	139.72'	TRANSITIONAL	6.27'	REMOVE
85	TREE	20.16'	115.29'	135.46'	TRANSITIONAL	27.36'	REMOVE
86	TREE	25.86'	113.71'	139.57'	TRANSITIONAL	10.59'	REMOVE
87	TREE	26.38'	127.28'	153.66'	RUNWAY 15 APPROACH	18.82'	REMOVE
89	TREE	21.03'	157.04'	178.07'	TRANSITIONAL	21.90'	REMOVE
90	TREE	15.91'	154.47'	170.39'	RUNWAY 15 APPROACH	27.64'	REMOVE
91	TREE	12.67'	145.42'	158.09'	RUNWAY 15 APPROACH	9.22'	REMOVE
92	TREE	14.12'	149.55'	163.66'	RUNWAY 15 APPROACH	14.00'	REMOVE
93	TREE	15.77'	159.19'	174.96'	RUNWAY 15 APPROACH	32.44'	REMOVE
94	TREE	14.31'	135.68'	150.00'	TRANSITIONAL	4.43'	REMOVE
95	TREE	13.01'	146.57'	159.58'	TRANSITIONAL	9.28'	REMOVE
96	TREE	25.35'	159.00'	184.35'	HORIZONTAL	7.01'	REMOVE
97	TREE	20.42'	130.44'	150.86'	TRANSITIONAL	19.05'	REMOVE
98	TREE	20.42'	146.83'	167.25'	TRANSITIONAL	31.13'	REMOVE
99	ANTENNA	96.48'	204.42'	301.10'	CONICAL	6.27'	MARK/LIGHT
100	TREE	19.97'	144.38'	164.35'	TRANSITIONAL	22.68'	REMOVE
102	TREE	20.73'	110.88'	131.61'	TRANSITIONAL	37.45'	REMOVE
103	TREE	22.53'	155.92'	178.45'	TRANSITIONAL	23.04'	REMOVE
104	TREE	16.19'	149.33'	165.52'	TRANSITIONAL	69.89'	REMOVE
108	UTILITY POLE	14.28'	37.80'	52.08'	RUNWAY 15 APPROACH	9.78'	MARK/LIGHT

U:\S\WSP-2017\RAISE
 00-543-ALP-400.dwg
 Sep 21, 2018 - 2:13pm
 Stan Jones



HARVEY FIELD
SNOHOMISH, WASHINGTON



DES: R.L.B.	ISSUE RECORD			
	NO.	BY	DATE	DESCRIPTION
DR: R.L.B.				
CH: S.V.B.				
APP: M.C.L.				

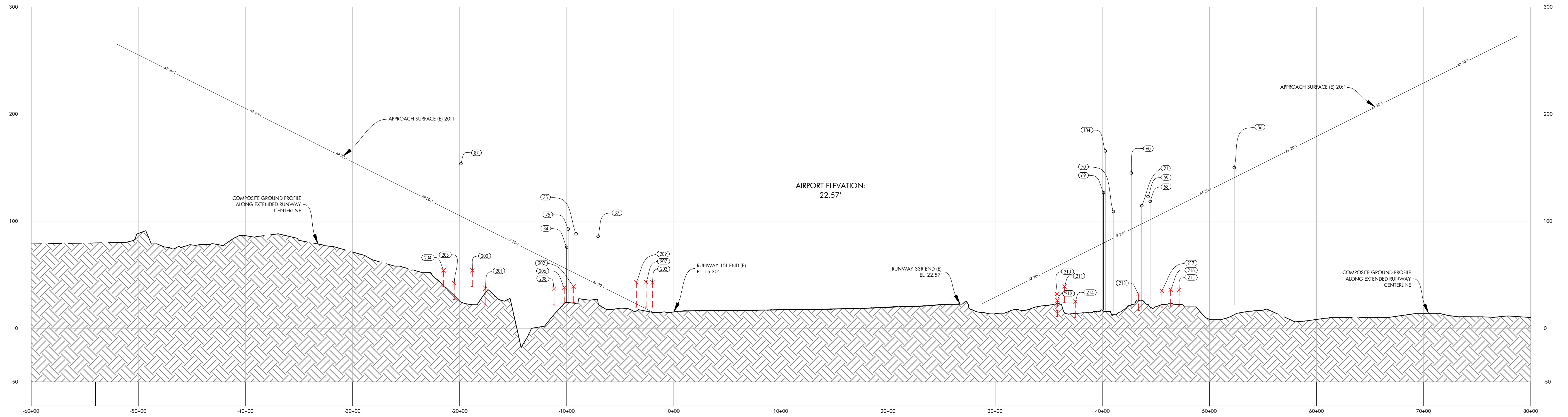
THE PREPARATION OF THIS DOCUMENT MAY HAVE BEEN SUPPORTED, IN PART, THROUGH THE AIRPORT IMPROVEMENT PROGRAM FINANCIAL ASSISTANCE FROM THE FEDERAL AVIATION ADMINISTRATION AS PROVIDED UNDER TITLE 49 U.S.C., SECTION 47104. THE CONTENTS DO NOT NECESSARILY REFLECT THE OFFICIAL VIEWS OR POLICY OF THE FAA. ACCEPTANCE OF THIS AIRPORT LAYOUT PLAN BY THE FAA DOES NOT IN ANY WAY CONSTITUTE A COMMITMENT ON THE PART OF THE UNITED STATES TO PARTICIPATE IN ANY DEVELOPMENT PROJECTS THEREIN NOR DOES IT INDICATE THAT THE PROPOSED DEVELOPMENT IS ENVIRONMENTALLY ACCEPTABLE OR WOULD HAVE JUSTIFICATION IN ACCORDANCE WITH APPROPRIATE PUBLIC LAWS.

AIRPORT
LAYOUT PLAN

AIRPORT AIRSPACE DRAWING

SHEET NO.
05 of 20

AIP PROJ. NO. 3-53-0070-003-2014	JVIAATION PROJ. NO. 2014.S43.01	DATE: SEPTEMBER 2018
-------------------------------------	------------------------------------	-------------------------



RUNWAY 15L/33R PROFILE

PROFILE
HORIZ: 1" = 500'
VERT: 1" = 50'

RUNWAY 15L/33R APPROACH OBSTACLE TABLE							
OBJECT IDENTIFICATION NO.	OBJECT TYPE	GROUND SURFACE ELEVATION (MSL)	ABOVE GROUND LEVEL (AGL)	TOP OF OBJECT ELEVATION (AMSL)	SURFACE REFERENCED	EXISTING SURFACE PENETRATION	DISPOSITION
21	TREE	16.77'	97.61'	114.38'	RUNWAY 33R APPROACH	16.95'	REMOVE
34	TREE	22.75'	52.85'	75.60'	RUNWAY 15L APPROACH	20.25'	REMOVE
35	TREE	21.79'	66.33'	88.12'	RUNWAY 15L APPROACH	37.15'	REMOVE
37	TREE	20.69'	65.10'	85.79'	RUNWAY 15L APPROACH	45.11'	REMOVE
56	TREE	21.49'	128.45'	149.94'	RUNWAY 33R APPROACH	9.36'	REMOVE
57	TREE	20.47'	141.08'	161.55'	RUNWAY 33R APPROACH	14.95'	REMOVE
58	TREE	20.27'	98.21'	118.48'	RUNWAY 33R APPROACH	17.17'	REMOVE
59	TREE	20.73'	102.15'	122.88'	RUNWAY 33R APPROACH	22.53'	REMOVE
60	TREE	17.60'	127.25'	144.92'	RUNWAY 33R APPROACH	52.41'	REMOVE
69	TREE	16.73'	109.69'	126.42'	RUNWAY 33R APPROACH	46.87'	REMOVE
70	TREE	15.54'	93.41'	108.95'	RUNWAY 33R APPROACH	24.84'	REMOVE
75	TREE	22.93'	69.59'	92.52'	RUNWAY 15L APPROACH	37.91'	REMOVE
87	TREE	26.38'	127.28'	153.66'	RUNWAY 15L APPROACH	48.94'	REMOVE
104	TREE	16.19'	149.33'	165.52'	RUNWAY 33R APPROACH	85.17'	REMOVE

RUNWAY 15L/33R APPROACH ROAD INTERSECTION TABLE							
OBJECT IDENTIFICATION NO.	OBJECT/DESCRIPTION	GROUND SURFACE ELEVATION (MSL)	ABOVE GROUND LEVEL (AGL)	TOP OF OBJECT ELEVATION (AMSL)	SURFACE REFERENCED	EXISTING SURFACE PENETRATION	DISPOSITION
200	ROAD +15'	39.00'	15.00'	54.00'	RUNWAY 15L APPROACH	-45.36'	N/A
201	ROAD +15'	22.00'	15.00'	37.00'	RUNWAY 15L APPROACH	-56.36'	N/A
202	ROAD +15'	24.00'	15.00'	39.00'	RUNWAY 15L APPROACH	-13.06'	N/A
203	RAILROAD +23'	20.00'	23.00'	43.00'	RUNWAY 15L APPROACH	27.70'	MARK/LIGHT
204	ROAD +15'	39.00'	15.00'	54.00'	RUNWAY 15L APPROACH	-58.80'	N/A
205	ROAD +15'	27.00'	15.00'	42.00'	RUNWAY 15L APPROACH	-65.80'	N/A
206	ROAD +15'	23.00'	15.00'	38.00'	RUNWAY 15L APPROACH	-18.46'	N/A
207	RAILROAD +23'	20.00'	23.00'	43.00'	RUNWAY 15L APPROACH	24.75'	MARK/LIGHT
208	ROAD +15'	22.00'	15.00'	37.00'	RUNWAY 15L APPROACH	-24.22'	N/A
209	RAILROAD +23'	20.00'	23.00'	43.00'	RUNWAY 15L APPROACH	20.21'	MARK/LIGHT
210	ROAD +15'	17.00'	15.00'	32.00'	RUNWAY 33R APPROACH	-25.77'	N/A
211	RAILROAD +23'	16.00'	23.00'	39.00'	RUNWAY 33R APPROACH	-22.40'	N/A
212	ROAD +15'	11.00'	15.00'	26.00'	RUNWAY 33R APPROACH	-32.02'	N/A
213	RAILROAD +23'	9.00'	23.00'	32.00'	RUNWAY 33R APPROACH	-63.89'	N/A
214	ROAD +15'	10.00'	15.00'	25.00'	RUNWAY 33R APPROACH	-41.40'	N/A
215	ROAD +15'	21.00'	15.00'	36.00'	RUNWAY 33R APPROACH	-78.89'	N/A
216	ROAD +15'	21.00'	15.00'	36.00'	RUNWAY 33R APPROACH	-74.89'	N/A
217	ROAD +15'	20.00'	15.00'	35.00'	RUNWAY 33R APPROACH	-71.78'	N/A

NOTES AND SOURCES

- OBSTRUCTION DATA FROM AGIS SURVEY PRODUCED BY WSP (6/30/2016)
- ALL HORIZONTAL COORDINATES - NAD 83/2011 ALL VERTICAL COORDINATES - NAVD 88

USA 543-0070-003 (REV) 2017 (RANS)

184-07-543-0070-003-DISTING.dwg
Sep 21, 2018 - 2:13pm
Stan Johns



HARVEY FIELD
SNOHOMISH, WASHINGTON



DES: R.L.B.
DR: R.L.B.
CH: S.V.B.
APP: M.C.L.

ISSUE RECORD			
NO.	BY	DATE	DESCRIPTION

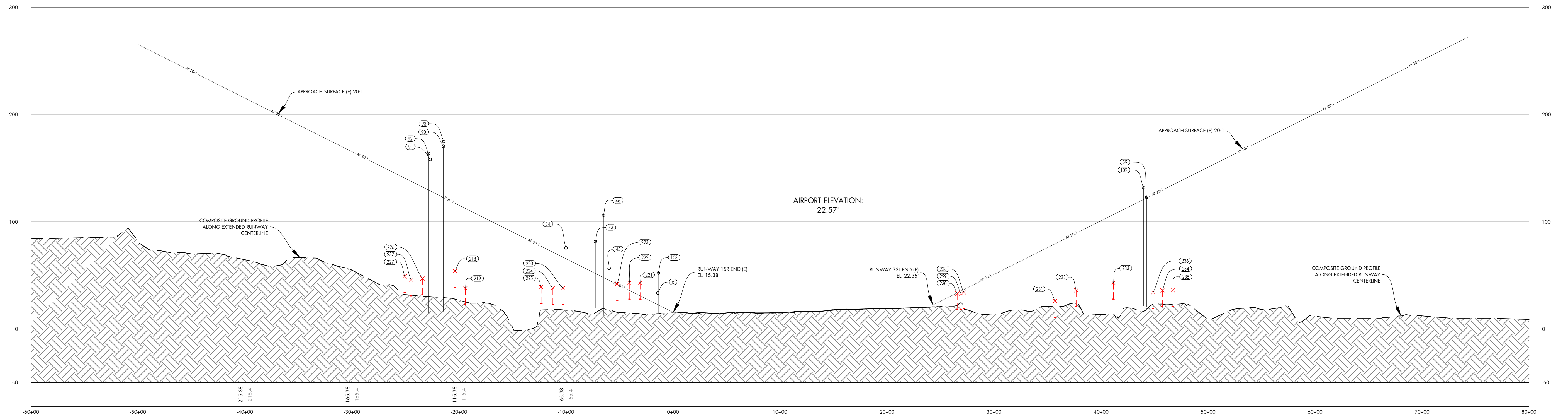
THE PREPARATION OF THIS DOCUMENT MAY HAVE BEEN SUPPORTED, IN PART, THROUGH THE AIRPORT IMPROVEMENT PROGRAM FINANCIAL ASSISTANCE FROM THE FEDERAL AVIATION ADMINISTRATION AS PROVIDED UNDER TITLE 49 U.S.C., SECTION 47104. THE CONTENTS DO NOT NECESSARILY REFLECT THE OFFICIAL VIEWS OR POLICY OF THE FAA. ACCEPTANCE OF THIS AIRPORT LAYOUT PLAN BY THE FAA DOES NOT IN ANY WAY CONSTITUTE A COMMITMENT ON THE PART OF THE UNITED STATES TO PARTICIPATE IN ANY DEVELOPMENT DIRECTED THEREIN NOR DOES IT INDICATE THAT THE PROPOSED DEVELOPMENT IS ENVIRONMENTALLY ACCEPTABLE OR WOULD HAVE JUSTIFICATION IN ACCORDANCE WITH APPROPRIATE PUBLIC LAWS.

AIRPORT
LAYOUT PLAN

RUNWAY 15L/33R AIRPORT
AIRSPACE PROFILE

SHEET NO.
06 of 20

AIP PROJ. NO. 3-53-0070-003-2014
JVIATION PROJ. NO. 2014.S43.01
DATE: SEPTEMBER 2018



RUNWAY 15R/33L PROFILE

PROFILE
HORIZ: 1" = 500'
VERT: 1" = 50'

RUNWAY 15L/33R APPROACH OBSTACLE TABLE							
OBJECT IDENTIFICATION NO.	OBJECT TYPE	GROUND SURFACE ELEVATION (MSL)	ABOVE GROUND LEVEL (AGL)	TOP OF OBJECT ELEVATION (AMSL)	SURFACE REFERENCED	EXISTING SURFACE PENETRATION	DISPOSITION
21	TREE	16.77'	97.61'	114.38'	RUNWAY 33R APPROACH	16.95'	REMOVE
34	TREE	22.75'	52.85'	75.60'	RUNWAY 15L APPROACH	20.25'	REMOVE
35	TREE	21.79'	66.33'	88.12'	RUNWAY 15L APPROACH	37.15'	REMOVE
37	TREE	20.69'	65.10'	85.79'	RUNWAY 15L APPROACH	45.11'	REMOVE
56	TREE	21.49'	128.45'	149.94'	RUNWAY 33R APPROACH	9.36'	REMOVE
57	TREE	20.47'	141.08'	161.55'	RUNWAY 33R APPROACH	14.95'	REMOVE
58	TREE	20.27'	98.21'	118.48'	RUNWAY 33R APPROACH	17.17'	REMOVE
59	TREE	20.73'	102.15'	122.88'	RUNWAY 33R APPROACH	22.53'	REMOVE
60	TREE	17.67'	127.25'	144.92'	RUNWAY 33R APPROACH	52.41'	REMOVE
69	TREE	16.73'	109.69'	126.42'	RUNWAY 33R APPROACH	46.87'	REMOVE
70	TREE	15.54'	93.41'	108.95'	RUNWAY 33R APPROACH	24.84'	REMOVE
104	TREE	16.19'	149.33'	165.52'	RUNWAY 33R APPROACH	85.17'	REMOVE

RUNWAY 15R/33L APPROACH ROAD INTERSECTION TABLE							
OBJECT IDENTIFICATION NO.	OBJECT/DESCRIPTION	GROUND SURFACE ELEVATION (MSL)	ABOVE GROUND LEVEL (AGL)	TOP OF OBJECT ELEVATION (AMSL)	SURFACE REFERENCED	EXISTING SURFACE PENETRATION	DISPOSITION
218	ROAD+15'	39.00'	15.00'	54.00'	RUNWAY 15R APPROACH	-63.32'	N/A
219	ROAD+15'	23.00'	15.00'	38.00'	RUNWAY 15R APPROACH	-74.46'	N/A
220	ROAD+15'	23.00'	15.00'	38.00'	RUNWAY 15R APPROACH	-28.81'	N/A
221	RAILROAD+23'	20.00'	23.00'	43.00'	RUNWAY 15R APPROACH	12.24'	MARK/LIGHT
222	RAILROAD+23'	20.00'	23.00'	43.00'	RUNWAY 15R APPROACH	7.18'	MARK/LIGHT
223	RAILROAD+23'	19.00'	23.00'	42.00'	RUNWAY 15R APPROACH	0.42'	MARK/LIGHT
224	ROAD+15'	23.00'	15.00'	38.00'	RUNWAY 15R APPROACH	-33.59'	N/A
225	ROAD+15'	24.00'	15.00'	39.00'	RUNWAY 15R APPROACH	-38.03'	N/A
226	ROAD+15'	32.00'	15.00'	47.00'	RUNWAY 15R APPROACH	-85.52'	N/A
227	ROAD+15'	34.00'	15.00'	49.00'	RUNWAY 15R APPROACH	-91.75'	N/A
228	ROAD+15'	19.00'	15.00'	34.00'	RUNWAY 33L APPROACH	-2.78'	N/A
229	ROAD+15'	18.00'	15.00'	33.00'	RUNWAY 33L APPROACH	-2.40'	N/A
230	ROAD+15'	18.00'	15.00'	33.00'	RUNWAY 33L APPROACH	-0.94'	N/A
231	ROAD+15'	11.00'	15.00'	26.00'	RUNWAY 33L APPROACH	-53.34'	N/A
232	ROAD+15'	21.00'	15.00'	36.00'	RUNWAY 33L APPROACH	-53.23'	N/A
233	RAILROAD+23'	20.00'	23.00'	43.00'	RUNWAY 33L APPROACH	-63.62'	N/A
234	ROAD+15'	21.00'	15.00'	36.00'	RUNWAY 33L APPROACH	-93.50'	N/A
235	ROAD+15'	21.00'	15.00'	36.00'	RUNWAY 33L APPROACH	-98.41'	N/A
236	ROAD+15'	19.00'	15.00'	34.00'	RUNWAY 33L APPROACH	-91.14'	N/A
237	ROAD+15'	31.00'	15.00'	46.00'	RUNWAY 15R APPROACH	-91.88'	N/A

NOTES AND SOURCES

- OBSTRUCTION DATA FROM AGIS SURVEY PRODUCED BY WSP (6/30/2016)
- ALL HORIZONTAL COORDINATES - NAD 83/2011 ALL VERTICAL COORDINATES - NAVD 88

USA 543-003-2017 (RANS)
18-07-543-ARP-DISTING.dwg
Sep 21, 2018 - 2:13pm
Shawn Johns



HARVEY FIELD
SNOHOMISH, WASHINGTON



DES: R.L.B.	ISSUE RECORD			
	NO.	BY	DATE	DESCRIPTION
DR: R.L.B.				
CH: S.V.B.				
APP: M.C.L.				

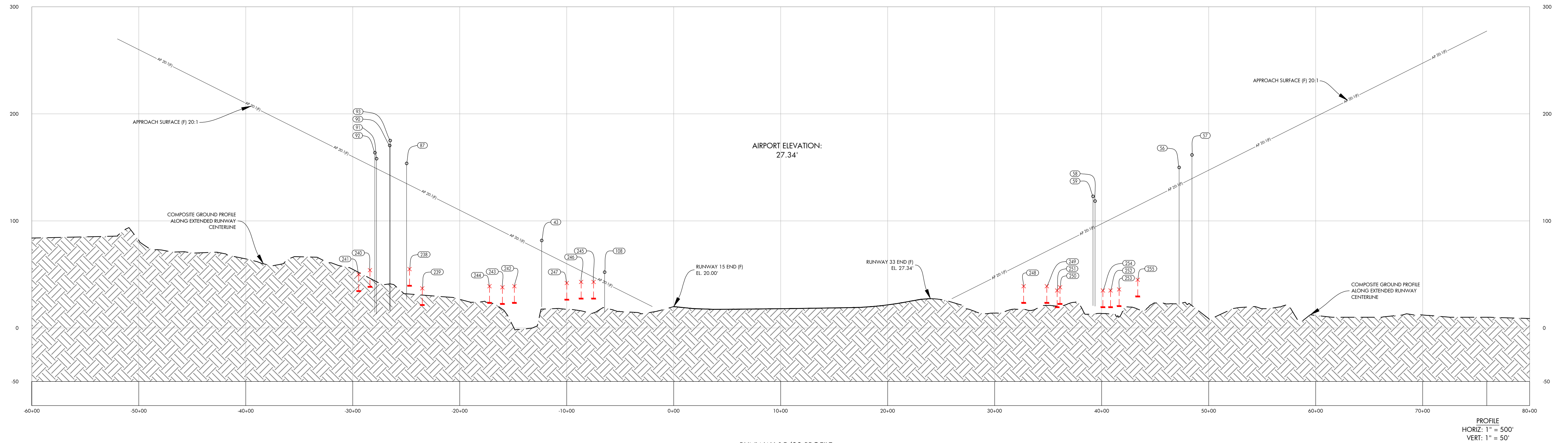
THE PREPARATION OF THIS DOCUMENT MAY HAVE BEEN SUPPORTED, IN PART, THROUGH THE AIRPORT IMPROVEMENT PROGRAM FINANCIAL ASSISTANCE FROM THE FEDERAL AVIATION ADMINISTRATION AS PROVIDED UNDER TITLE 49 U.S.C. SECTION 47104. THE CONTENTS DO NOT NECESSARILY REFLECT THE OFFICIAL VIEWS OR POLICY OF THE FAA. ACCEPTANCE OF THIS AIRPORT LAYOUT PLAN BY THE FAA DOES NOT IN ANY WAY CONSTITUTE A COMMITMENT ON THE PART OF THE UNITED STATES TO PARTICIPATE IN ANY DEVELOPMENT DERIVED THEREIN NOR DOES IT INDICATE THAT THE PROPOSED DEVELOPMENT IS ENVIRONMENTALLY ACCEPTABLE OR WOULD HAVE JUSTIFICATION IN ACCORDANCE WITH APPROPRIATE PUBLIC LAWS.

AIRPORT
LAYOUT PLAN

RUNWAY 15R/33L AIRPORT
AIRSPACE PROFILE

SHEET NO.
07 of 20

AIP PROJ. NO. 3-53-0070-003-2014	JVIAATION PROJ. NO. 2014.543.01	DATE: SEPTEMBER 2018
-------------------------------------	------------------------------------	-------------------------



RUNWAY 15/33 PROFILE

PROFILE
HORIZ: 1" = 500'
VERT: 1" = 50'

RUNWAY 15/33 APPROACH OBSTACLE TABLE							
OBJECT IDENTIFICATION NO.	OBJECT/DESCRIPTION	GROUND SURFACE ELEVATION (MSL)	ABOVE GROUND LEVEL (AGL)	TOP OF OBJECT ELEVATION (AMSL)	SURFACE REFERENCED	EXISTING SURFACE PENETRATION	DISPOSITION
43	TREE	19.59'	62.05'	81.63'	RUNWAY 15 APPROACH	9.91'	REMOVE
56	TREE	21.49'	128.45'	149.94'	RUNWAY 33 APPROACH	16.39'	REMOVE
57	TREE	20.47'	141.08'	161.55'	RUNWAY 33 APPROACH	21.99'	REMOVE
58	TREE	20.27'	98.21'	118.48'	RUNWAY 33 APPROACH	24.21'	REMOVE
59	TREE	20.73'	102.15'	122.88'	RUNWAY 33 APPROACH	29.57'	REMOVE
87	TREE	26.38'	127.28'	153.66'	RUNWAY 15 APPROACH	18.82'	REMOVE
90	TREE	15.91'	154.47'	170.39'	RUNWAY 15 APPROACH	27.64'	REMOVE
91	TREE	12.67'	145.42'	158.09'	RUNWAY 15 APPROACH	9.22'	REMOVE
92	TREE	14.12'	149.55'	163.66'	RUNWAY 15 APPROACH	14.00'	REMOVE
93	TREE	15.77'	159.19'	174.96'	RUNWAY 15 APPROACH	32.44'	REMOVE
108	UTILITY POLE	14.28'	37.80'	52.08'	RUNWAY 15 APPROACH	9.78'	MARK/LIGHT

RUNWAY 15/33 APPROACH ROAD INTERSECTION TABLE							
OBJECT IDENTIFICATION NO.	OBJECT/DESCRIPTION	GROUND SURFACE ELEVATION (MSL)	ABOVE GROUND LEVEL (AGL)	TOP OF OBJECT ELEVATION (AMSL)	SURFACE REFERENCED	EXISTING SURFACE PENETRATION	DISPOSITION
238	ROAD +15'	40.00'	15.00'	55.00'	RUNWAY 15 APPROACH	-78.46'	N/A
239	ROAD +15'	22.00'	15.00'	37.00'	RUNWAY 15 APPROACH	-90.49'	N/A
240	ROAD +15'	39.00'	15.00'	54.00'	RUNWAY 15 APPROACH	-97.96'	N/A
241	ROAD +15'	35.00'	15.00'	50.00'	RUNWAY 15 APPROACH	-107.22'	N/A
242	ROAD +15'	24.00'	15.00'	39.00'	RUNWAY 15 APPROACH	-45.46'	N/A
243	ROAD +15'	23.00'	15.00'	38.00'	RUNWAY 15 APPROACH	-52.06'	N/A
244	ROAD +15'	24.00'	15.00'	39.00'	RUNWAY 15 APPROACH	-57.10'	N/A
245	RAIL ROAD +23'	20.00'	23.00'	43.00'	RUNWAY 15 APPROACH	-4.45'	N/A
246	RAIL ROAD +23'	20.00'	23.00'	43.00'	RUNWAY 15 APPROACH	-10.28'	N/A
247	RAIL ROAD +23'	19.00'	23.00'	42.00'	RUNWAY 15 APPROACH	-17.97'	N/A
248	ROAD +15'	24.00'	15.00'	39.00'	RUNWAY 33 APPROACH	-21.90'	N/A
249	ROAD +15'	24.00'	15.00'	39.00'	RUNWAY 33 APPROACH	-32.73'	N/A
250	ROAD +15'	23.00'	15.00'	38.00'	RUNWAY 33 APPROACH	-39.90'	N/A
251	ROAD +15'	20.00'	15.00'	35.00'	RUNWAY 33 APPROACH	-41.55'	N/A
252	ROAD +15'	20.00'	15.00'	35.00'	RUNWAY 33 APPROACH	-66.50'	N/A
253	ROAD +15'	21.00'	15.00'	36.00'	RUNWAY 33 APPROACH	-69.52'	N/A
254	ROAD +15'	20.00'	15.00'	35.00'	RUNWAY 33 APPROACH	-62.93'	N/A
255	RAIL ROAD +23'	22.00'	23.00'	45.00'	RUNWAY 33 APPROACH	-69.20'	N/A

NOTES AND SOURCES

1. OBSTRUCTION DATA FROM AGIS SURVEY PRODUCED BY WSP (6/30/2016)
2. ALL HORIZONTAL COORDINATES - NAD 83/2011 ALL VERTICAL COORDINATES - NAVD 88

USA 543-003-2014 (REVISED)
09-21-2018 - 2:14pm
Snohomish



HARVEY FIELD
SNOHOMISH, WASHINGTON



DES: R.L.B.
DR: R.L.B.
CH: S.V.B.
APP: M.C.L.

ISSUE RECORD

NO.	BY	DATE	DESCRIPTION

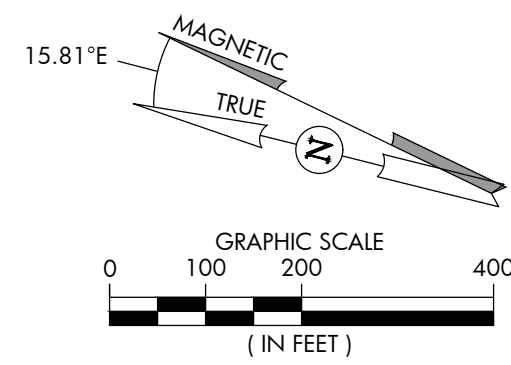
AIRPORT
LAYOUT PLAN

RUNWAY 15/33 AIRPORT
AIRSPACE PROFILE

SHEET NO.
08 of 20

AIP PROJ. NO. 3-53-0070-003-2014
JVIAATION PROJ. NO. 2014.543.01
DATE: SEPTEMBER 2018

THE PREPARATION OF THIS DOCUMENT MAY HAVE BEEN SUPPORTED, IN PART, THROUGH THE AIRPORT IMPROVEMENT PROGRAM FINANCIAL ASSISTANCE FROM THE FEDERAL AVIATION ADMINISTRATION AS PROVIDED UNDER TITLE 49 U.S.C., SECTION 47104. THE CONTENTS DO NOT NECESSARILY REFLECT THE OFFICIAL VIEWS OR POLICY OF THE FAA. ACCEPTANCE OF THIS AIRPORT LAYOUT PLAN BY THE FAA DOES NOT IN ANY WAY CONSTITUTE A COMMITMENT ON THE PART OF THE UNITED STATES TO PARTICIPATE IN ANY DEVELOPMENT DERIVED THEREIN NOR DOES IT INDICATE THAT THE PROPOSED DEVELOPMENT IS ENVIRONMENTALLY ACCEPTABLE OR WOULD HAVE JUSTIFICATION IN ACCORDANCE WITH APPROPRIATE PUBLIC LAWS.

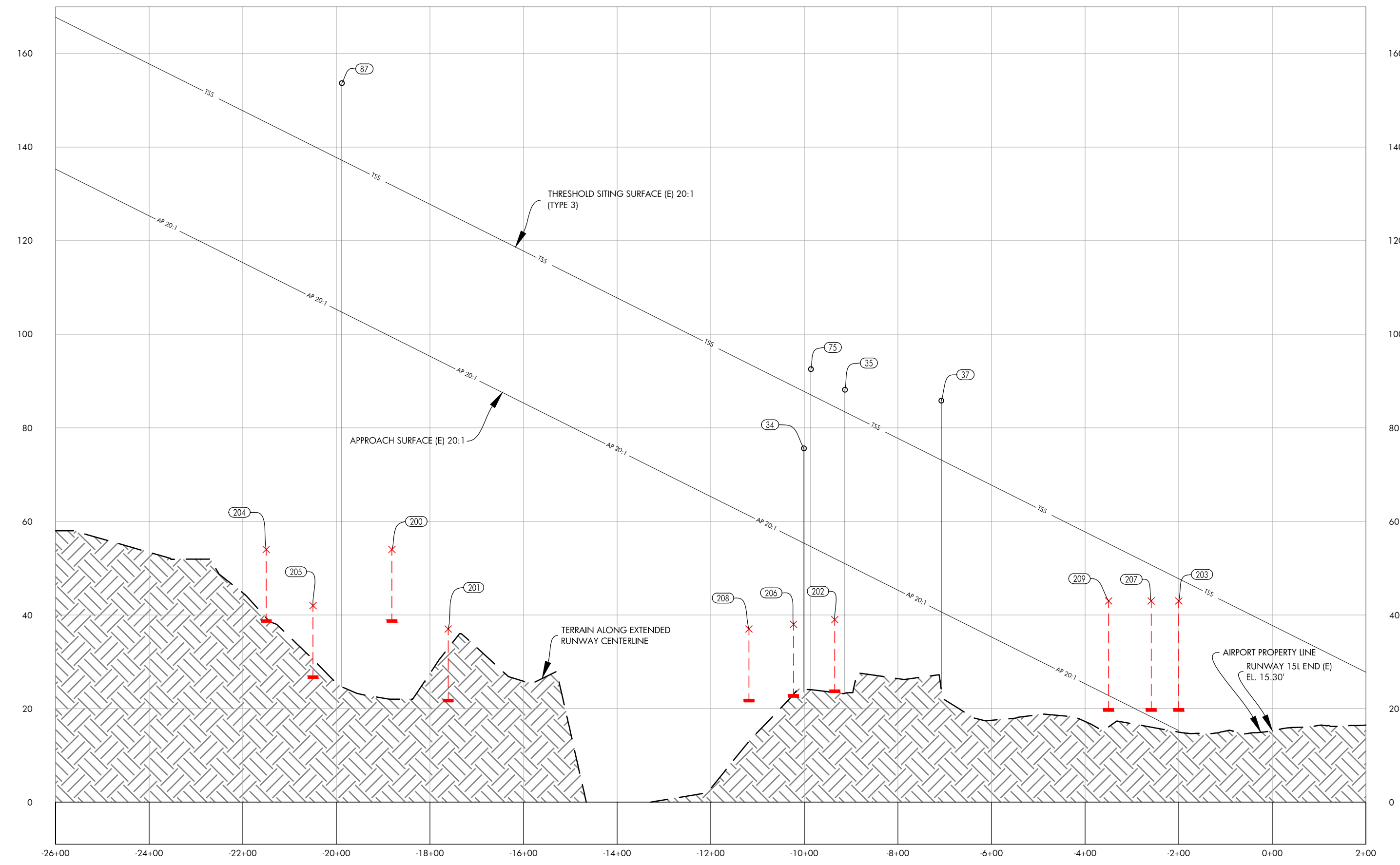
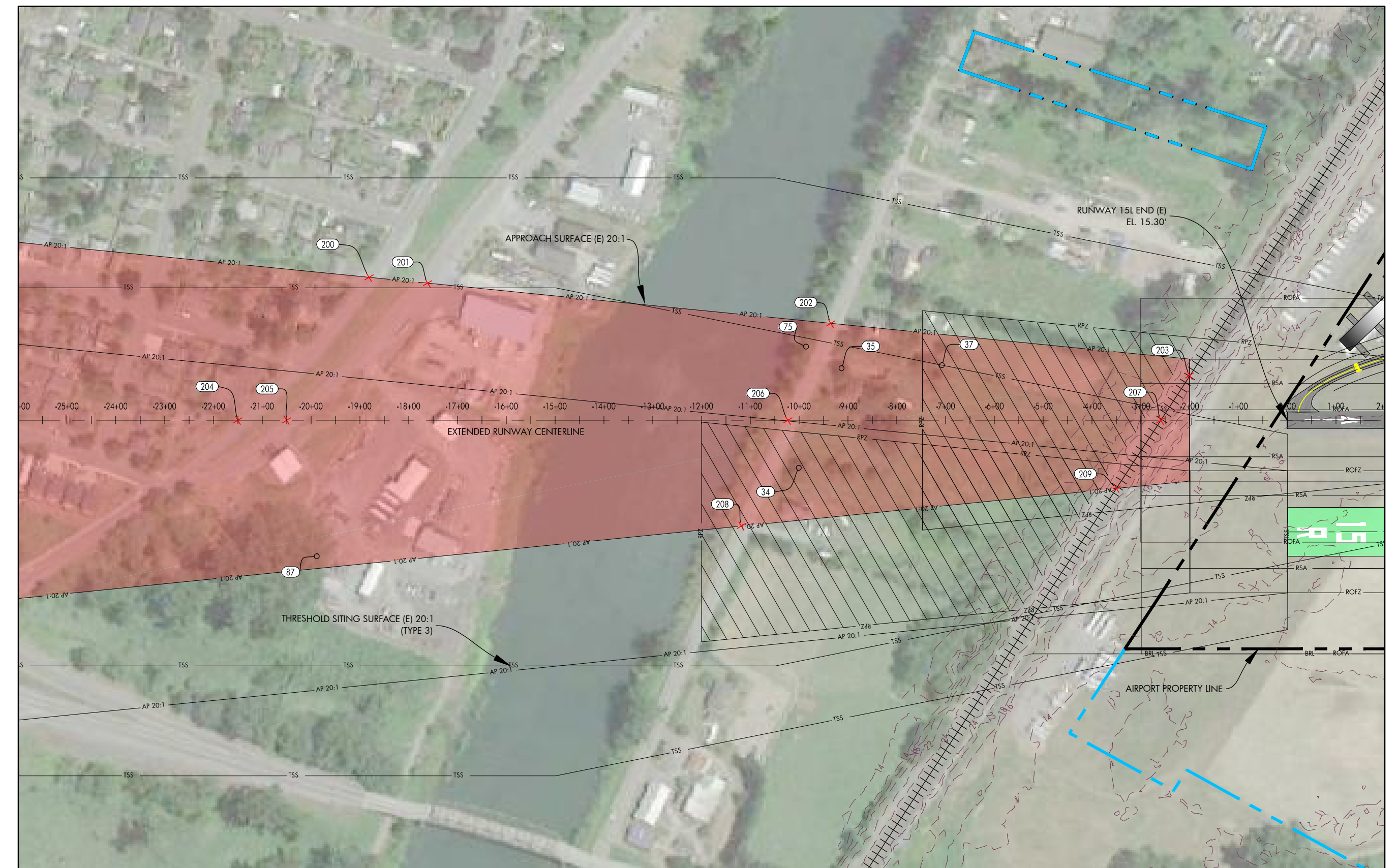


DATE: JULY, 2017
ANNUAL RATE OF CHANGE: 0.14"W
SOURCE: U.S. NCEI

PROFILE
HORIZ: 1" = 200'
VERT: 1" = 20'

RUNWAY 15L INNER APPROACH OBSTACLE TABLE							
OBJECT IDENTIFICATION NO.	OBJECT TYPE	GROUND SURFACE ELEVATION (MSL)	ABOVE GROUND LEVEL (AGL)	TOP OF OBJECT ELEVATION (AMSL)	SURFACE REFERENCED	EXISTING SURFACE PENETRATION	DISPOSITION
34	TREE	22.75'	52.85'	75.60'	RUNWAY 15L APPROACH	20.25'	REMOVE
35	TREE	21.79'	66.33'	88.12'	RUNWAY 15L APPROACH	37.15'	REMOVE
37	TREE	20.69'	65.10'	85.79'	RUNWAY 15L APPROACH	45.11'	REMOVE
75	TREE	22.93'	69.99'	92.52'	RUNWAY 15L APPROACH	37.91'	REMOVE
87	TREE	26.38'	127.28'	153.66'	RUNWAY 15L APPROACH	48.94'	REMOVE

RUNWAY 15L INNER APPROACH ROAD INTERSECTION TABLE							
OBJECT IDENTIFICATION NO.	OBJECT/DESCRIPTION	GROUND SURFACE ELEVATION (MSL)	ABOVE GROUND LEVEL (AGL)	TOP OF OBJECT ELEVATION (AMSL)	SURFACE REFERENCED	EXISTING SURFACE PENETRATION	DISPOSITION
200	ROAD +15'	39.00'	15.00'	54.00'	RUNWAY 15L APPROACH	-45.36'	N/A
201	ROAD +15'	22.00'	15.00'	37.00'	RUNWAY 15L APPROACH	-56.36'	N/A
202	ROAD +15'	24.00'	15.00'	39.00'	RUNWAY 15L APPROACH	-13.06'	N/A
203	RAIL ROAD +23'	20.00'	23.00'	43.00'	RUNWAY 15L APPROACH	27.70'	MARK/LIGHT
204	ROAD +15'	39.00'	15.00'	54.00'	RUNWAY 15L APPROACH	-58.80'	N/A
205	ROAD +15'	27.00'	15.00'	42.00'	RUNWAY 15L APPROACH	-65.80'	N/A
206	ROAD +15'	23.00'	15.00'	38.00'	RUNWAY 15L APPROACH	-18.46'	N/A
207	RAIL ROAD +23'	20.00'	23.00'	43.00'	RUNWAY 15L APPROACH	24.75'	MARK/LIGHT
208	ROAD +15'	22.00'	15.00'	37.00'	RUNWAY 15L APPROACH	-24.22'	N/A
209	RAIL ROAD +23'	20.00'	23.00'	43.00'	RUNWAY 15L APPROACH	20.21'	MARK/LIGHT



- NOTES AND SOURCES**
1. THE SITE PLAN AND LINE WORK IS BASED ON THE SNOHOMISH COUNTY GEOGRAPHIC INFORMATION SYSTEM (GIS)
 2. OBSTRUCTION DATA FROM AGIS SURVEY PRODUCED BY WSP (6/30/2016)
 3. ALL HORIZONTAL COORDINATES - NAD 83/2011 ALL VERTICAL COORDINATES - NAVD 88

U:\S\W\14P-2017\PLANS
 104-10-543-AGC-RUNWAY 15L-3304.dwg
 Sep 21, 2018 - 2:14pm
 Stan-Johns



HARVEY FIELD
SNOHOMISH, WASHINGTON



DES: R.L.B.	ISSUE RECORD		DESCRIPTION
	NO.	DATE	
DR: R.L.B.			
CH: S.V.B.			
APP: M.C.L.			

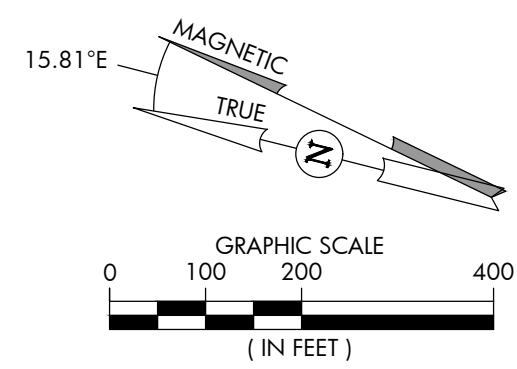
THE PREPARATION OF THIS DOCUMENT MAY HAVE BEEN SUPPORTED, IN PART, THROUGH THE AIRPORT IMPROVEMENT PROGRAM FINANCIAL ASSISTANCE FROM THE FEDERAL AVIATION ADMINISTRATION AS PROVIDED UNDER TITLE 49 U.S.C., SECTION 47104. THE CONTENTS DO NOT NECESSARILY REFLECT THE OFFICIAL VIEWS OR POLICY OF THE FAA. ACCEPTANCE OF THIS AIRPORT LAYOUT PLAN BY THE FAA DOES NOT IN ANY WAY CONSTITUTE A COMMITMENT ON THE PART OF THE UNITED STATES TO PARTICIPATE IN ANY DEVELOPMENT DERIVED THEREIN NOR DOES IT INDICATE THAT THE PROPOSED DEVELOPMENT IS ENVIRONMENTALLY ACCEPTABLE OR WOULD HAVE JUSTIFICATION IN ACCORDANCE WITH APPROPRIATE PUBLIC LAWS.

AIRPORT
LAYOUT PLAN

RUNWAY 15L INNER APPROACH
SURFACE DRAWING

SHEET NO.
09 of 20

AIP PROJ. NO. 3-53-0070-003-2014	JVIAATION PROJ. NO. 2014.S43.01	DATE: SEPTEMBER 2018
-------------------------------------	------------------------------------	-------------------------

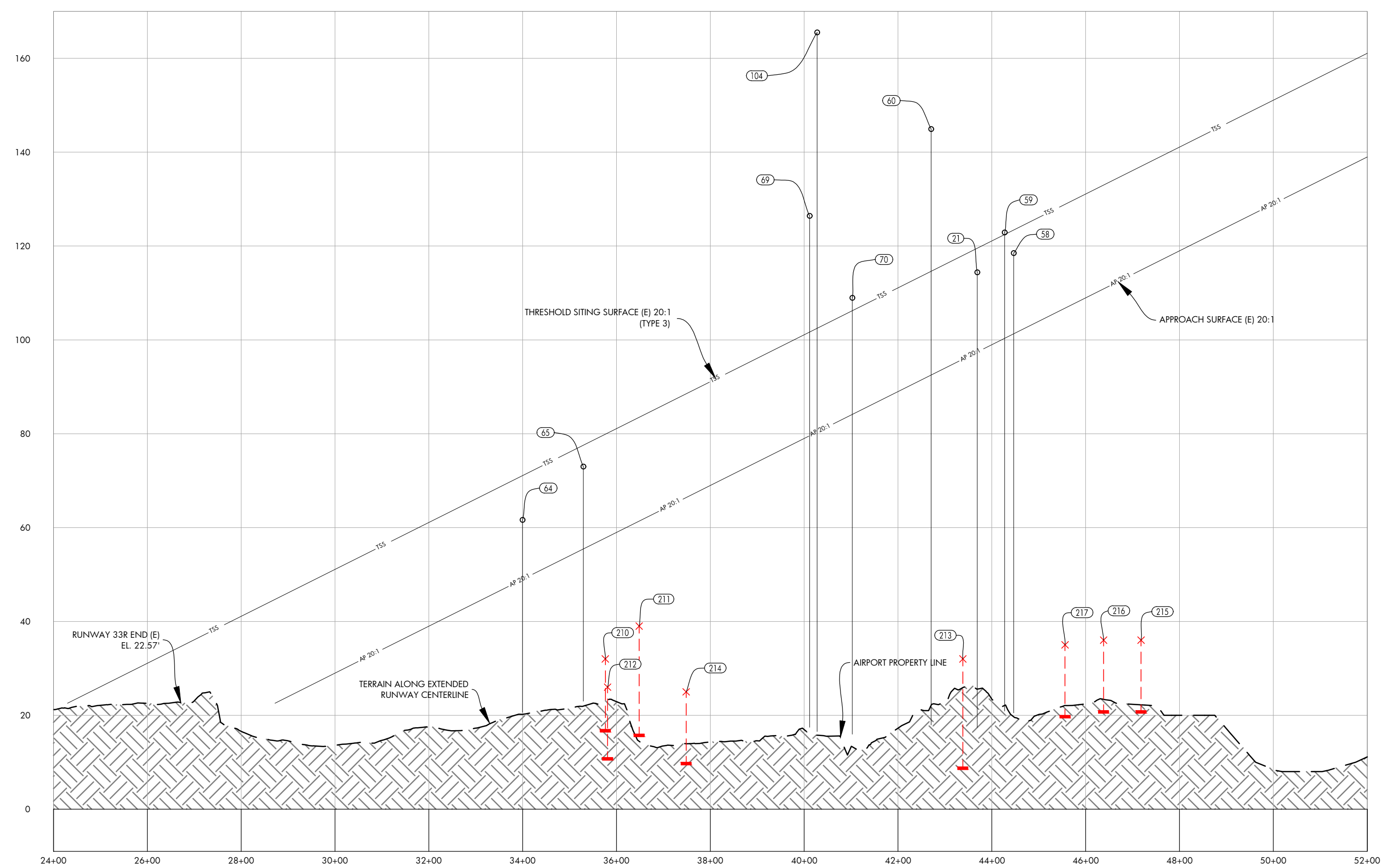
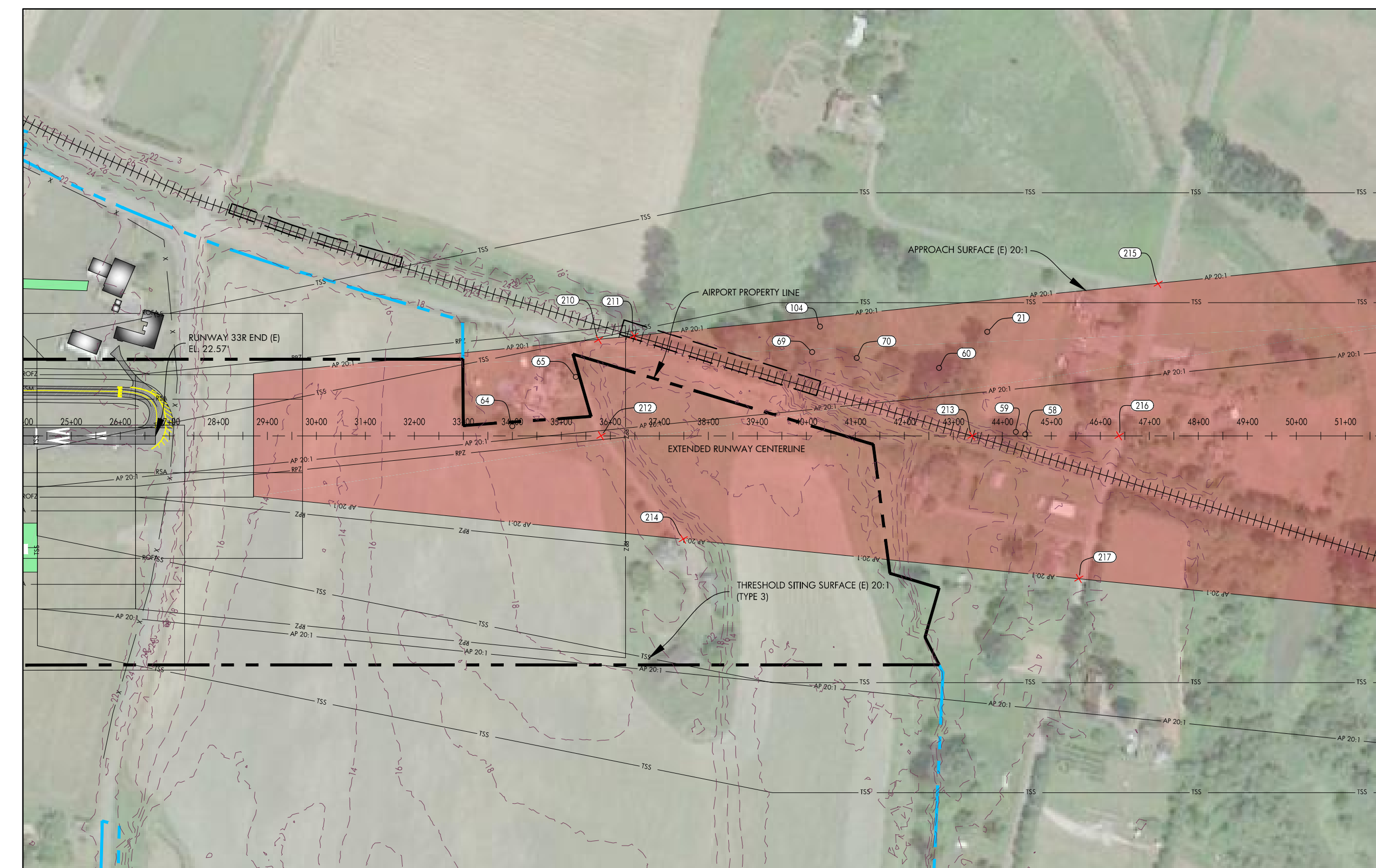


DATE: JULY, 2017
ANNUAL RATE OF CHANGE: 0.14"W
SOURCE: U.S. NCEI

PROFILE
HORIZ: 1" = 200'
VERT: 1" = 20'

RUNWAY 33R INNER APPROACH OBSTACLE TABLE							
OBJECT IDENTIFICATION NO.	OBJECT TYPE	GROUND SURFACE ELEVATION (MSL)	ABOVE GROUND LEVEL (AGL)	TOP OF OBJECT ELEVATION (AMSL)	SURFACE REFERENCED	EXISTING SURFACE PENETRATION	DISPOSITION
21	TREE	16.77'	97.61'	114.38'	RUNWAY 33R APPROACH	16.95'	REMOVE
56	TREE	21.49'	128.45'	149.94'	RUNWAY 33R APPROACH	9.36'	REMOVE
57	TREE	20.47'	141.08'	161.55'	RUNWAY 33R APPROACH	14.95'	REMOVE
58	TREE	20.27'	98.21'	118.48'	RUNWAY 33R APPROACH	17.17'	REMOVE
59	TREE	20.73'	102.15'	122.88'	RUNWAY 33R APPROACH	22.53'	REMOVE
60	TREE	17.67'	127.25'	144.92'	RUNWAY 33R APPROACH	52.41'	REMOVE
64	TREE	20.13'	41.50'	61.63'	RUNWAY 33R APPROACH	12.66'	REMOVE
65	TREE	22.15'	50.85'	73.00'	RUNWAY 33R APPROACH	17.55'	REMOVE
69	TREE	16.73'	109.69'	126.42'	RUNWAY 33R APPROACH	46.87'	REMOVE
70	TREE	15.54'	93.41'	108.95'	RUNWAY 33R APPROACH	24.84'	REMOVE
104	TREE	16.19'	149.33'	165.52'	RUNWAY 33R APPROACH	85.17'	REMOVE

RUNWAY 33R INNER APPROACH ROAD INTERSECTION TABLE							
OBJECT IDENTIFICATION NO.	OBJECT/DESCRIPTION	GROUND SURFACE ELEVATION (MSL)	ABOVE GROUND LEVEL (AGL)	TOP OF OBJECT ELEVATION (AMSL)	SURFACE REFERENCED	EXISTING SURFACE PENETRATION	DISPOSITION
210	ROAD +15'	17.00'	15.00'	32.00'	RUNWAY 33R APPROACH	-25.77'	N/A
211	RAILROAD +23'	16.00'	23.00'	39.00'	RUNWAY 33R APPROACH	-22.40'	N/A
212	ROAD +15'	11.00'	15.00'	26.00'	RUNWAY 33R APPROACH	-32.02'	N/A
213	RAILROAD +23'	9.00'	23.00'	32.00'	RUNWAY 33R APPROACH	-63.89'	N/A
214	ROAD +15'	10.00'	15.00'	25.00'	RUNWAY 33R APPROACH	-41.40'	N/A
215	ROAD +15'	21.00'	15.00'	36.00'	RUNWAY 33R APPROACH	-78.89'	N/A
216	ROAD +15'	21.00'	15.00'	36.00'	RUNWAY 33R APPROACH	-74.89'	N/A
217	ROAD +15'	20.00'	15.00'	35.00'	RUNWAY 33R APPROACH	-71.78'	N/A



- NOTES AND SOURCES**
1. THE SITE PLAN AND LINE WORK IS BASED ON THE SNOHOMISH COUNTY GEOGRAPHIC INFORMATION SYSTEM (GIS)
 2. OBSTRUCTION DATA FROM AGIS SURVEY PRODUCED BY WSP (6/30/2016)
 3. ALL HORIZONTAL COORDINATES - NAD 83/2011 ALL VERTICAL COORDINATES - NAVD 88

U:\S43\14P-2017\PLANS

09-10-243-AGIS-RUNWAY 15L-33R.dwg
Sep 21, 2018 - 2:14pm
Shawn-Johns



HARVEY FIELD
SNOHOMISH, WASHINGTON



DES: R.L.B.
DR: R.L.B.
CH: S.V.B.
APP: M.C.L.

ISSUE RECORD			
NO.	BY	DATE	DESCRIPTION

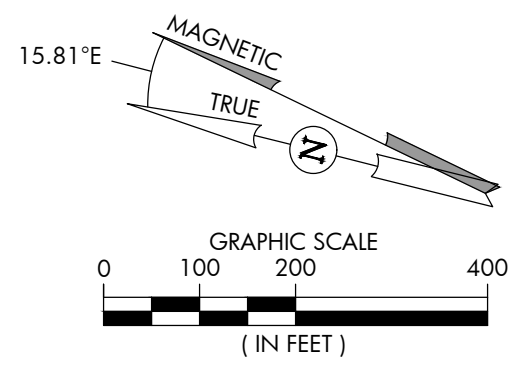
THE PREPARATION OF THIS DOCUMENT MAY HAVE BEEN SUPPORTED, IN PART, THROUGH THE AIRPORT IMPROVEMENT PROGRAM FINANCIAL ASSISTANCE FROM THE FEDERAL AVIATION ADMINISTRATION AS PROVIDED UNDER TITLE 49 U.S.C., SECTION 47104. THE CONTENTS DO NOT NECESSARILY REFLECT THE OFFICIAL VIEWS OR POLICY OF THE FAA. ACCEPTANCE OF THIS AIRPORT LAYOUT PLAN BY THE FAA DOES NOT IN ANY WAY CONSTITUTE A COMMITMENT ON THE PART OF THE UNITED STATES TO PARTICIPATE IN ANY DEVELOPMENT DERIVED THEREIN NOR DOES IT INDICATE THAT THE PROPOSED DEVELOPMENT IS ENVIRONMENTALLY ACCEPTABLE OR WOULD HAVE JUSTIFICATION IN ACCORDANCE WITH APPROPRIATE PUBLIC LAWS.

AIRPORT
LAYOUT PLAN

RUNWAY 33R INNER APPROACH
SURFACE DRAWING

SHEET NO.
10 of 20

AIP PROJ. NO. 3-53-0070-003-2014
JVIATION PROJ. NO. 2014.S43.01
DATE: SEPTEMBER 2018

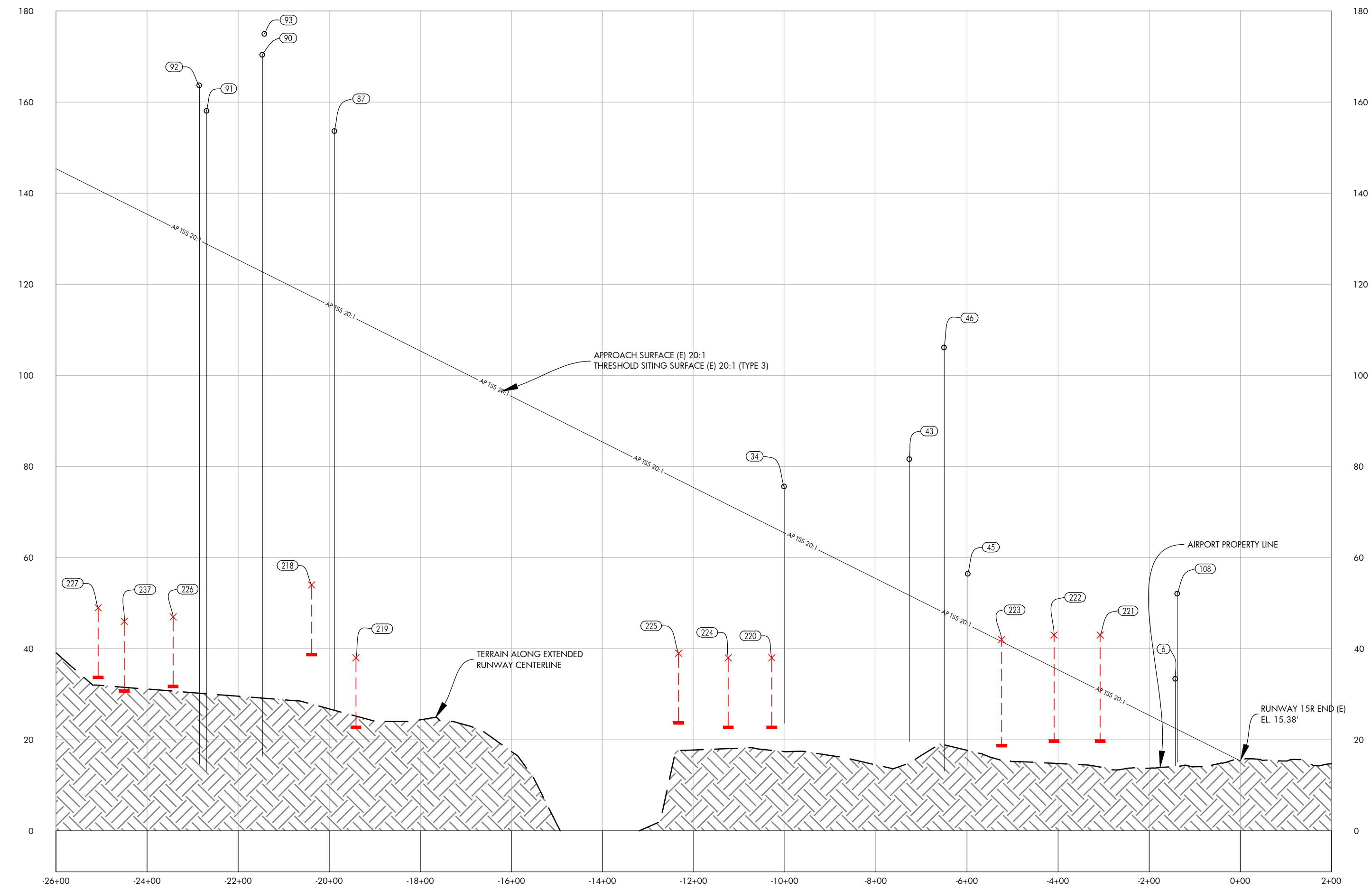
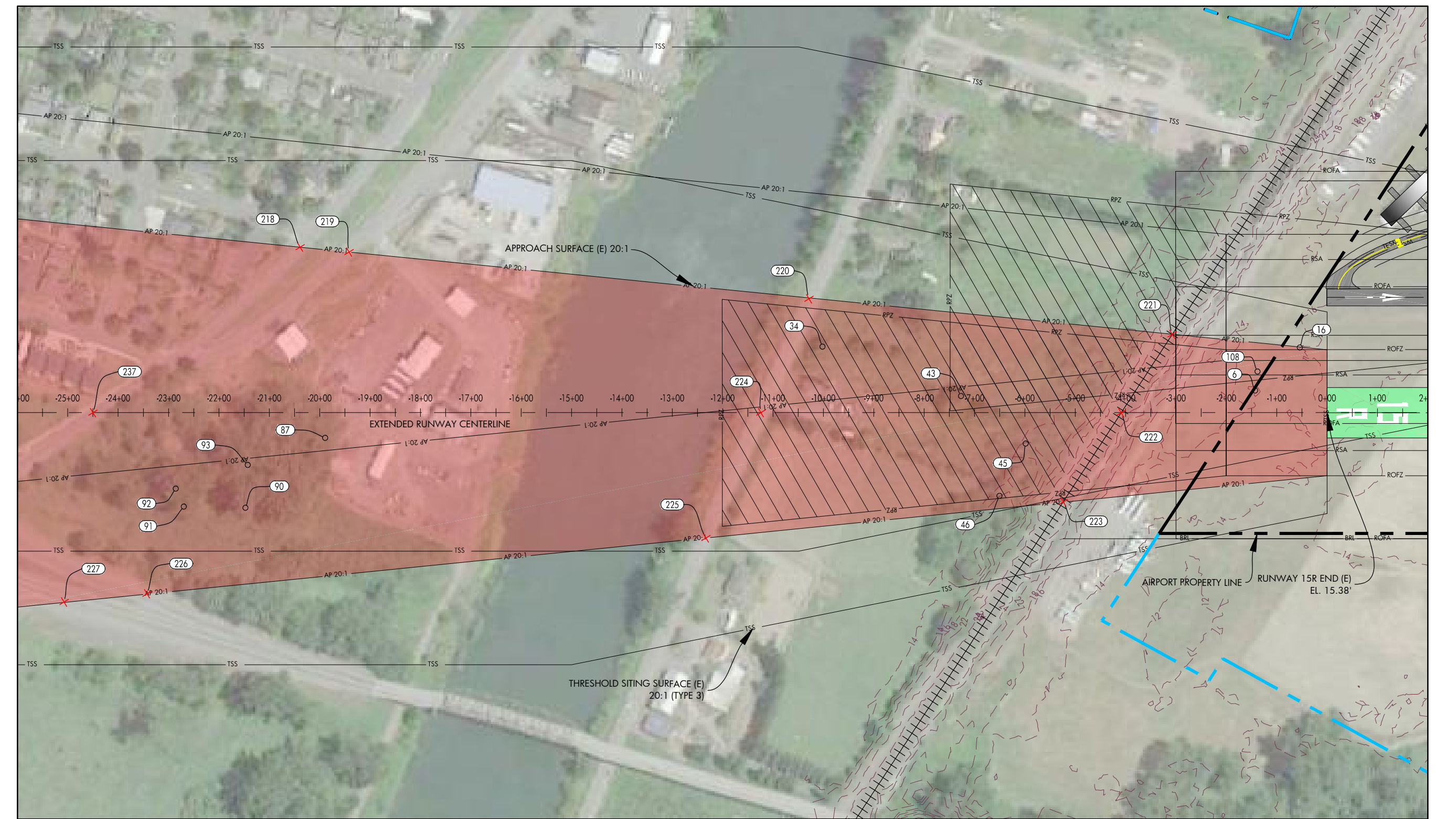


DATE: JULY, 2017
ANNUAL RATE OF CHANGE: 0.14"W
SOURCE: U.S. NCEI

PROFILE
HORIZ: 1" = 200'
VERT: 1" = 20'

RUNWAY 15R INNER APPROACH OBSTACLE TABLE							
OBJECT IDENTIFICATION NO.	OBJECT TYPE	GROUND SURFACE ELEVATION (MSL)	ABOVE GROUND LEVEL (AGL)	TOP OF OBJECT ELEVATION (AMSL)	SURFACE REFERENCED	EXISTING SURFACE PENETRATION	DISPOSITION
6	POLE	13.65	19.72	33.38	RUNWAY 15R APPROACH	10.84'	MARK/LIGHT
34	TREE	22.75	52.85	75.60	RUNWAY 15R APPROACH	10.13'	REMOVE
43	TREE	19.59	62.05	81.63	RUNWAY 15R APPROACH	29.90'	REMOVE
45	TREE	13.62	42.83	56.44	RUNWAY 15R APPROACH	11.13'	REMOVE
46	TREE	12.97	93.13	106.10	RUNWAY 15R APPROACH	58.19'	REMOVE
87	TREE	26.38	127.28	153.66	RUNWAY 15R APPROACH	38.82'	REMOVE
90	TREE	15.91	154.47	170.39	RUNWAY 15R APPROACH	47.64'	REMOVE
91	TREE	12.67	145.42	158.09	RUNWAY 15R APPROACH	29.22'	REMOVE
92	TREE	14.12	149.55	163.66	RUNWAY 15R APPROACH	34.00'	REMOVE
93	TREE	15.77	159.19	174.96	RUNWAY 15R APPROACH	52.44'	REMOVE
108	UTILITY POLE	14.28	37.80	52.08	RUNWAY 15R APPROACH	29.77'	MARK/LIGHT

RUNWAY 15R INNER APPROACH ROAD INTERSECTION TABLE							
OBJECT IDENTIFICATION NO.	OBJECT/DESCRIPTION	GROUND SURFACE ELEVATION (MSL)	ABOVE GROUND LEVEL (AGL)	TOP OF OBJECT ELEVATION (AMSL)	SURFACE REFERENCED	EXISTING SURFACE PENETRATION	DISPOSITION
218	ROAD +15'	39.00'	15.00'	54.00'	RUNWAY 15R APPROACH	-63.32'	N/A
219	ROAD +15'	23.00'	15.00'	38.00'	RUNWAY 15R APPROACH	-74.46'	N/A
220	ROAD +15'	23.00'	15.00'	38.00'	RUNWAY 15R APPROACH	-28.81'	N/A
221	RAILROAD +23'	20.00'	23.00'	43.00'	RUNWAY 15R APPROACH	12.24'	MARK/LIGHT
222	RAILROAD +23'	20.00'	23.00'	43.00'	RUNWAY 15R APPROACH	7.18'	MARK/LIGHT
223	RAILROAD +23'	19.00'	23.00'	42.00'	RUNWAY 15R APPROACH	0.42'	MARK/LIGHT
224	ROAD +15'	23.00'	15.00'	38.00'	RUNWAY 15R APPROACH	-33.59'	N/A
225	ROAD +15'	24.00'	15.00'	39.00'	RUNWAY 15R APPROACH	-38.03'	N/A
226	ROAD +15'	32.00'	15.00'	47.00'	RUNWAY 15R APPROACH	-85.52'	N/A
227	ROAD +15'	34.00'	15.00'	49.00'	RUNWAY 15R APPROACH	-91.75'	N/A
227	ROAD +15'	31.00'	15.00'	46.00'	RUNWAY 15R APPROACH	-91.88'	N/A



NOTES AND SOURCES

1. THE SITE PLAN AND LINE WORK IS BASED ON THE SNOHOMISH COUNTY GEOGRAPHIC INFORMATION SYSTEM (GIS)
2. OBSTRUCTION DATA FROM AGIS SURVEY PRODUCED BY WSP (6/30/2016)
3. ALL HORIZONTAL COORDINATES - NAD 83/2011 ALL VERTICAL COORDINATES - NAVD 88

HARVEY FIELD
SNOHOMISH, WASHINGTON

ISSUE RECORD			
NO.	BY	DATE	DESCRIPTION

DES: R.L.B.
DR: R.L.B.
CH: S.V.B.
APP: M.C.L.

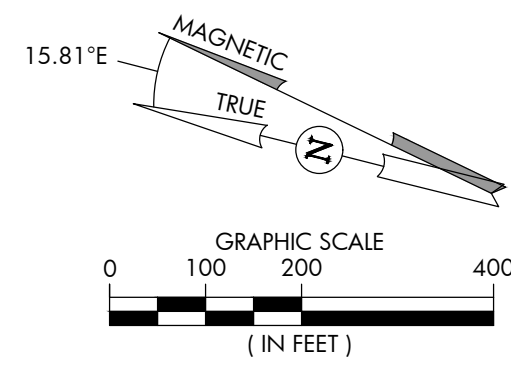
THE PREPARATION OF THIS DOCUMENT MAY HAVE BEEN SUPPORTED, IN PART, THROUGH THE AIRPORT IMPROVEMENT PROGRAM FINANCIAL ASSISTANCE FROM THE FEDERAL AVIATION ADMINISTRATION AS PROVIDED UNDER TITLE 49 U.S.C., SECTION 47104. THE CONTENTS DO NOT NECESSARILY REFLECT THE OFFICIAL VIEWS OR POLICY OF THE FAA. ACCEPTANCE OF THIS AIRPORT LAYOUT PLAN BY THE FAA DOES NOT IN ANY WAY CONSTITUTE A COMMITMENT ON THE PART OF THE UNITED STATES TO PARTICIPATE IN ANY DEVELOPMENT IDENTIFIED THEREIN NOR DOES IT INDICATE THAT THE PROPOSED DEVELOPMENT IS ENVIRONMENTALLY ACCEPTABLE OR WOULD HAVE JUSTIFICATION IN ACCORDANCE WITH APPROPRIATE PUBLIC LAWS.

AIRPORT
LAYOUT PLAN

**RUNWAY 15R INNER APPROACH
SURFACE DRAWING**

AIP PROJ. NO. 3-53-0070-003-2014
JVIATION PROJ. NO. 2014.S43.01
DATE: SEPTEMBER 2018

SHEET NO.
11 of 20

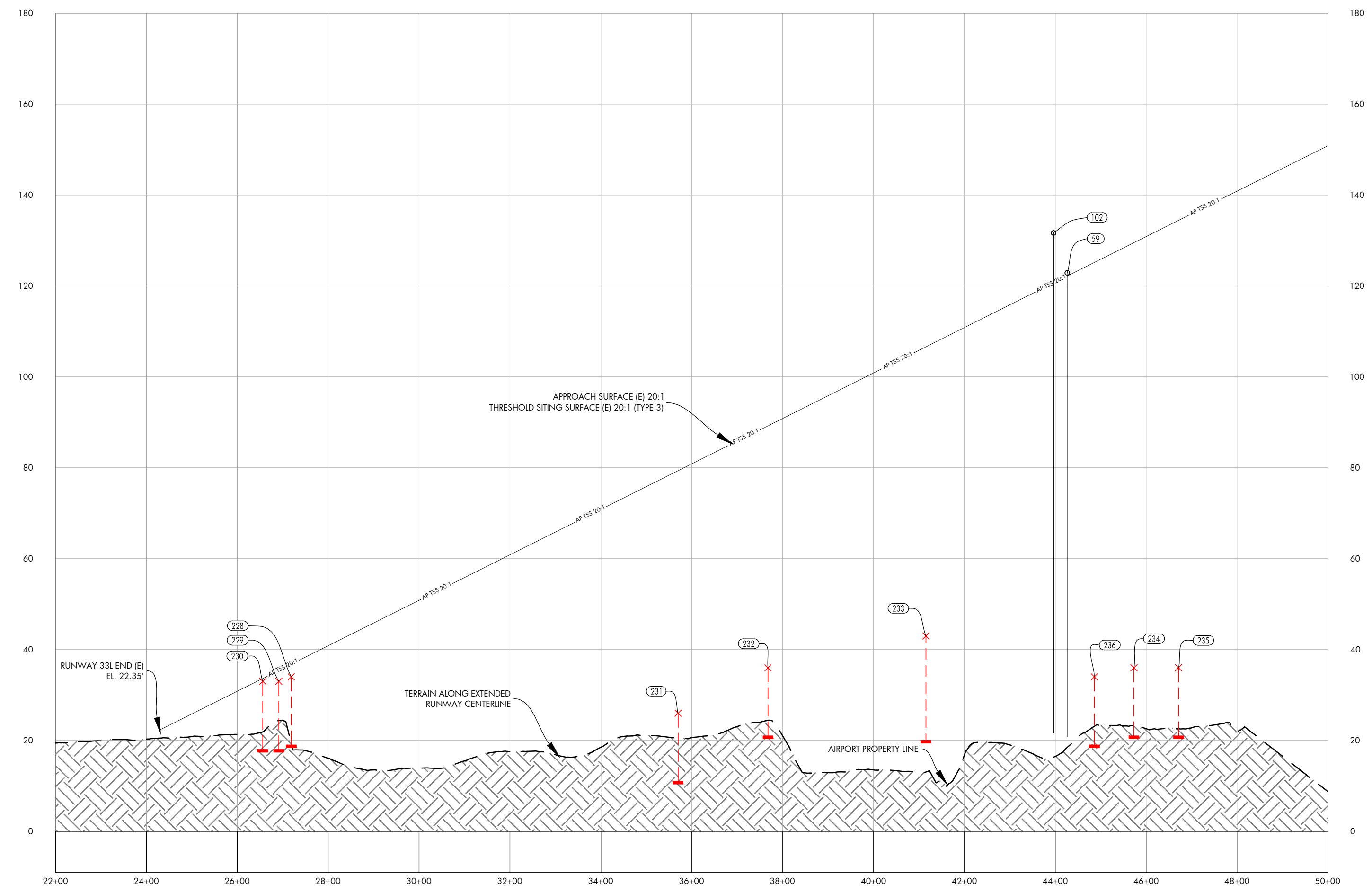
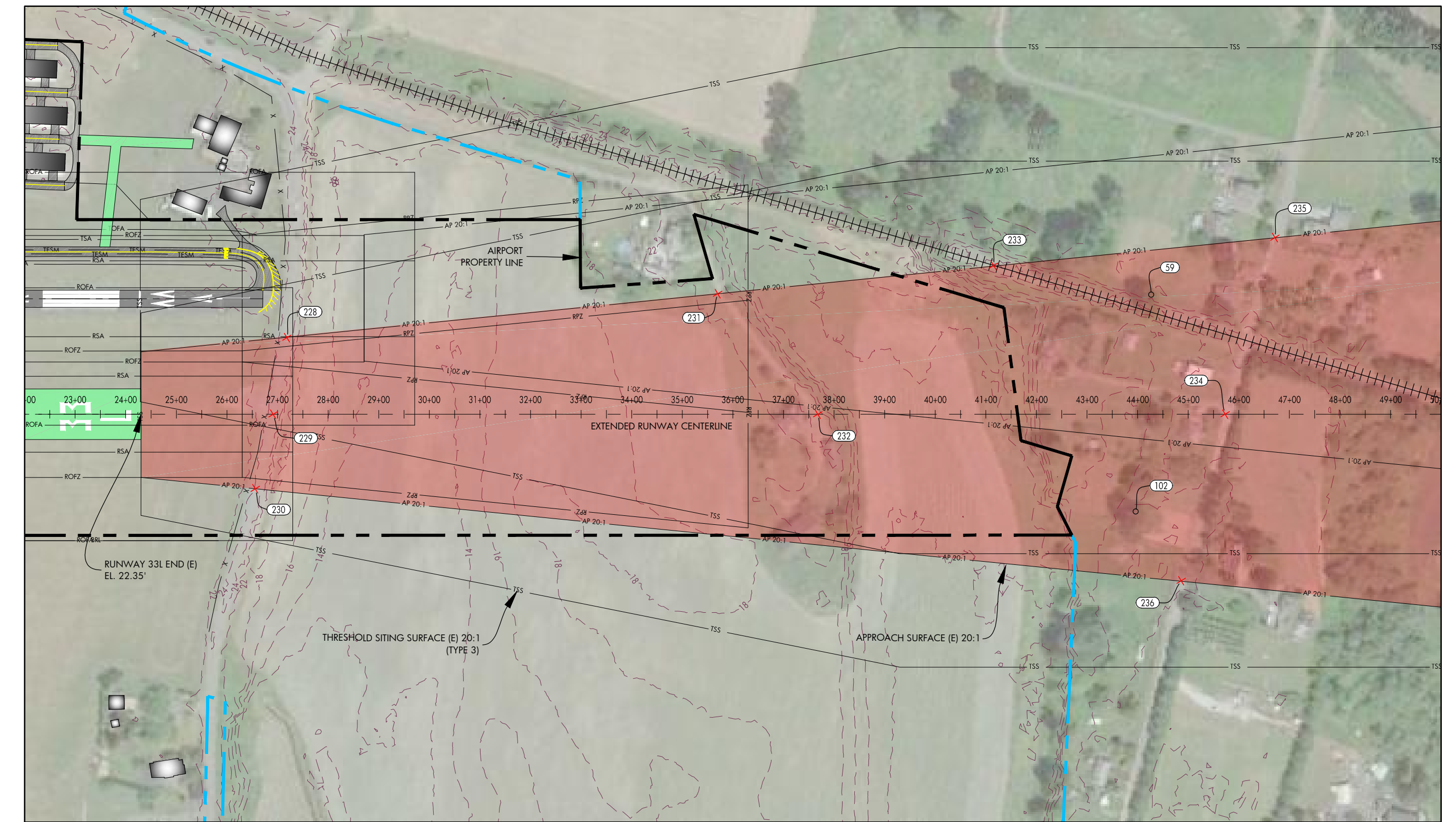


DATE: JULY, 2017
ANNUAL RATE OF CHANGE: 0.14"W
SOURCE: U.S. NCEI

PROFILE
HORIZ: 1" = 200'
VERT: 1" = 20'

RUNWAY 33L APPROACH OBSTACLE TABLE							
OBJECT IDENTIFICATION NO.	OBJECT TYPE	GROUND SURFACE ELEVATION (MSL)	ABOVE GROUND LEVEL (AGL)	TOP OF OBJECT ELEVATION (AMSL)	SURFACE REFERENCED	EXISTING SURFACE PENETRATION	DISPOSITION
59	TREE	20.73'	102.15'	122.88'	RUNWAY 33L APPROACH	0.71'	REMOVE
102	TREE	20.73'	110.88'	131.61'	RUNWAY 33L APPROACH	10.97'	REMOVE

RUNWAY 33L INNER APPROACH ROAD INTERSECTION TABLE							
OBJECT IDENTIFICATION NO.	OBJECT/DESCRIPTION	GROUND SURFACE ELEVATION (MSL)	ABOVE GROUND LEVEL (AGL)	TOP OF OBJECT ELEVATION (AMSL)	SURFACE REFERENCED	EXISTING SURFACE PENETRATION	DISPOSITION
228	ROAD +15'	19.00'	15.00'	34.00'	RUNWAY 33L APPROACH	-2.78'	N/A
229	ROAD +15'	18.00'	15.00'	33.00'	RUNWAY 33L APPROACH	-2.40'	N/A
230	ROAD +15'	18.00'	15.00'	33.00'	RUNWAY 33L APPROACH	0.64'	N/A
231	ROAD +15'	11.00'	15.00'	26.00'	RUNWAY 33L APPROACH	-53.34'	N/A
232	ROAD +15'	21.00'	15.00'	36.00'	RUNWAY 33L APPROACH	-53.23'	N/A
233	RAILROAD +23'	20.00'	23.00'	43.00'	RUNWAY 33L APPROACH	-63.62'	N/A
234	ROAD +15'	21.00'	15.00'	36.00'	RUNWAY 33L APPROACH	-93.50'	N/A
235	ROAD +15'	21.00'	15.00'	36.00'	RUNWAY 33L APPROACH	-98.41'	N/A
236	ROAD +15'	19.00'	15.00'	34.00'	RUNWAY 33L APPROACH	-91.14'	N/A



NOTES AND SOURCES

1. THE SITE PLAN AND LINE WORK IS BASED ON THE SNOHOMISH COUNTY GEOGRAPHIC INFORMATION SYSTEM (GIS)
2. OBSTRUCTION DATA FROM AGIS SURVEY PRODUCED BY WSP (6/30/2016)
3. ALL HORIZONTAL COORDINATES - NAD 83/2011 ALL VERTICAL COORDINATES - NAVD 88

U:\S\AVP\2017\AVP\11-1-2-543-ASD-RUNWAY 33L.dwg
 Sep 21, 2018 - 2:15pm
 Stan Johns



HARVEY FIELD
SNOHOMISH, WASHINGTON



DES: R.L.B.
DR: R.L.B.
CH: S.V.B.
APP: M.C.L.

ISSUE RECORD

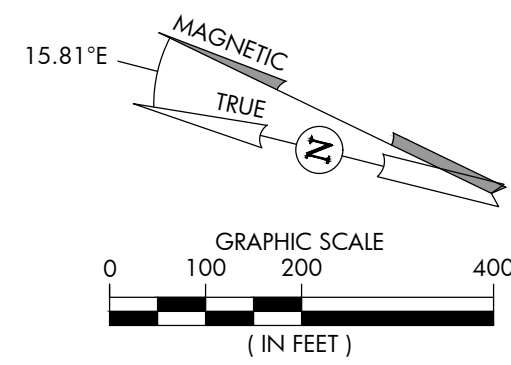
NO.	BY	DATE	DESCRIPTION

AIRPORT
LAYOUT PLAN

**RUNWAY 33L INNER APPROACH
SURFACE DRAWING**

AIP PROJ. NO. 3-53-0070-003-2014
JVIATION PROJ. NO. 2014.S43.01
DATE: SEPTEMBER 2018

SHEET NO.
12 of 20

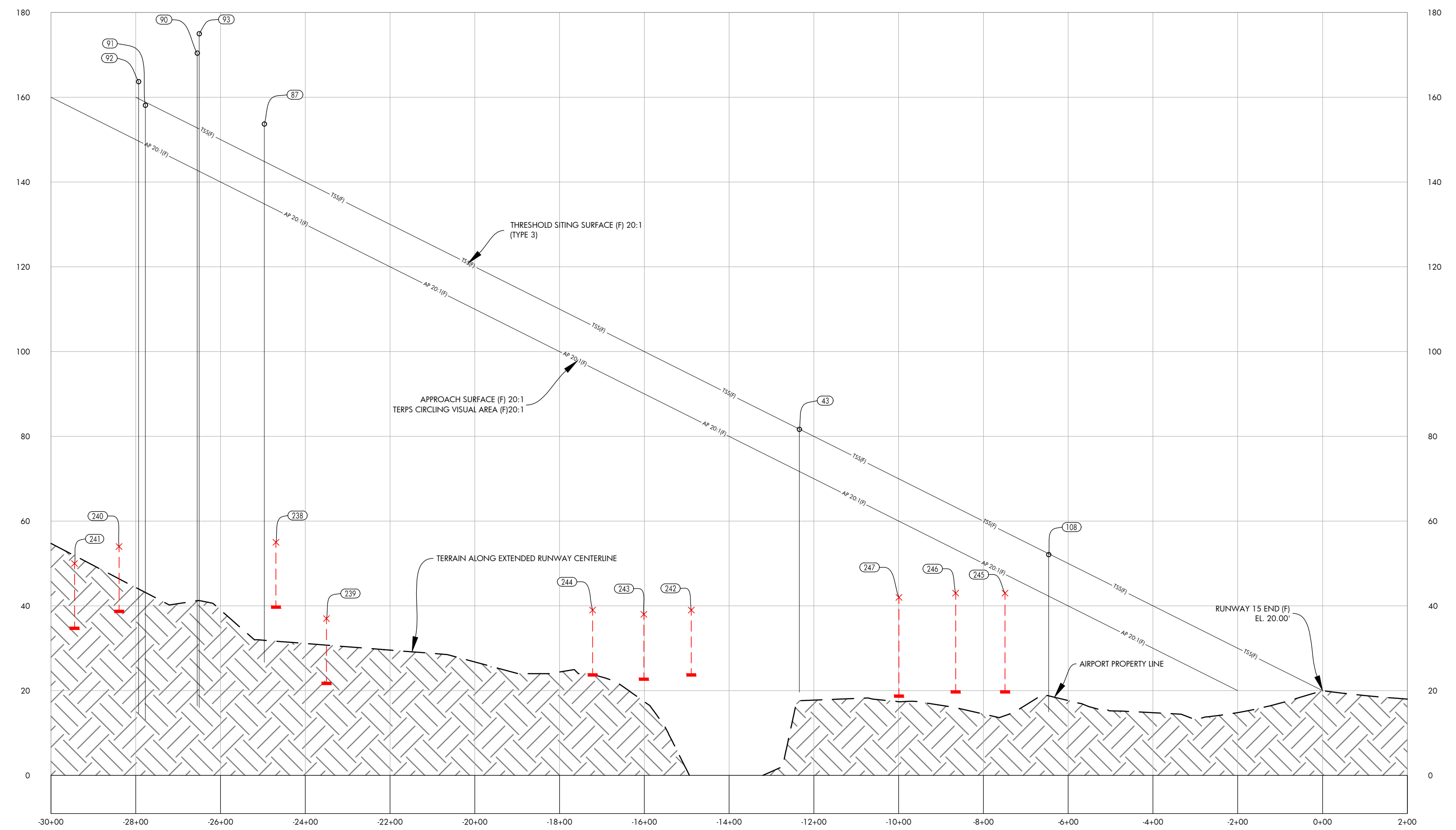
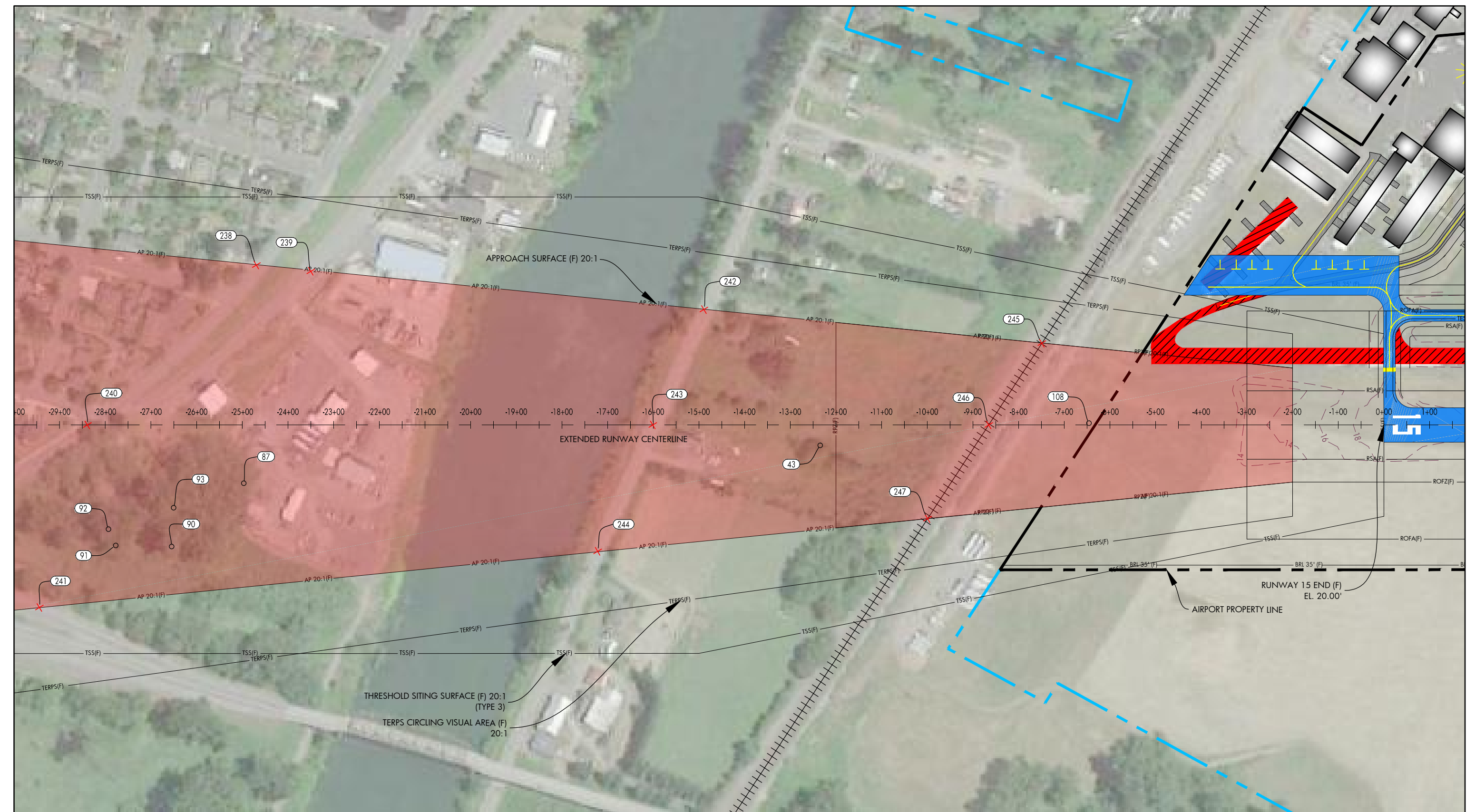


DATE: JULY, 2017
ANNUAL RATE OF CHANGE: 0.14"W
SOURCE: U.S. NCEI

PROFILE
HORIZ: 1" = 200'
VERT: 1" = 20'

RUNWAY 15 INNER APPROACH OBSTACLE TABLE							
OBJECT IDENTIFICATION NO.	OBJECT/DESCRIPTION	GROUND SURFACE ELEVATION (MSL)	ABOVE GROUND LEVEL (AGL)	TOP OF OBJECT ELEVATION (AMSL)	SURFACE REFERENCED	EXISTING SURFACE PENETRATION	DISPOSITION
43	TREE	19.59'	62.05'	81.63'	RUNWAY 15 APPROACH	9.91'	REMOVE
87	TREE	26.38'	127.28'	153.66'	RUNWAY 15 APPROACH	18.82'	REMOVE
90	TREE	15.91'	154.47'	170.39'	RUNWAY 15 APPROACH	27.64'	REMOVE
91	TREE	12.67'	145.42'	158.09'	RUNWAY 15 APPROACH	9.22'	REMOVE
92	TREE	14.12'	149.55'	163.66'	RUNWAY 15 APPROACH	14.00'	REMOVE
93	TREE	15.77'	159.19'	174.96'	RUNWAY 15 APPROACH	32.44'	REMOVE
108	UTILITY POLE	14.28'	37.80'	52.08'	RUNWAY 15 APPROACH	9.78'	MARK/LIGHT

RUNWAY 15 INNER APPROACH ROAD INTERSECTION TABLE							
OBJECT IDENTIFICATION NO.	OBJECT/DESCRIPTION	GROUND SURFACE ELEVATION (MSL)	ABOVE GROUND LEVEL (AGL)	TOP OF OBJECT ELEVATION (AMSL)	SURFACE REFERENCED	EXISTING SURFACE PENETRATION	DISPOSITION
238	ROAD +15'	40.00'	15.00'	55.00'	RUNWAY 15 APPROACH	-78.46'	N/A
239	ROAD +15'	22.00'	15.00'	37.00'	RUNWAY 15 APPROACH	-90.49'	N/A
240	ROAD +15'	39.00'	15.00'	54.00'	RUNWAY 15 APPROACH	-97.96'	N/A
241	ROAD +15'	35.00'	15.00'	50.00'	RUNWAY 15 APPROACH	-107.22'	N/A
242	ROAD +15'	24.00'	15.00'	39.00'	RUNWAY 15 APPROACH	-45.46'	N/A
243	ROAD +15'	23.00'	15.00'	38.00'	RUNWAY 15 APPROACH	-52.06'	N/A
244	ROAD +15'	24.00'	15.00'	39.00'	RUNWAY 15 APPROACH	-57.10'	N/A
245	RAILROAD +23'	20.00'	23.00'	43.00'	RUNWAY 15 APPROACH	-4.45'	N/A
246	RAILROAD +23'	20.00'	23.00'	43.00'	RUNWAY 15 APPROACH	-10.28'	N/A
247	RAILROAD +23'	19.00'	23.00'	42.00'	RUNWAY 15 APPROACH	-17.97'	N/A



NOTES AND SOURCES

1. THE SITE PLAN AND LINE WORK IS BASED ON THE SNOHOMISH COUNTY GEOGRAPHIC INFORMATION SYSTEM (GIS)
2. OBSTRUCTION DATA FROM AGIS SURVEY PRODUCED BY WSP (6/30/2016)
3. ALL HORIZONTAL COORDINATES - NAD 83/2011 ALL VERTICAL COORDINATES - NAVD 88

DES: R.L.B.
DR: R.L.B.
CH: S.V.B.
APP: M.C.L.

ISSUE RECORD			
NO.	BY	DATE	DESCRIPTION

THE PREPARATION OF THIS DOCUMENT MAY HAVE BEEN SUPPORTED, IN PART, THROUGH THE AIRPORT IMPROVEMENT PROGRAM FINANCIAL ASSISTANCE FROM THE FEDERAL AVIATION ADMINISTRATION AS PROVIDED UNDER TITLE 49 U.S.C., SECTION 47104. THE CONTENTS DO NOT NECESSARILY REFLECT THE OFFICIAL VIEWS OR POLICY OF THE FAA. ACCEPTANCE OF THIS AIRPORT LAYOUT PLAN BY THE FAA DOES NOT IN ANY WAY CONSTITUTE A COMMITMENT ON THE PART OF THE UNITED STATES TO PARTICIPATE IN ANY DEVELOPMENT IDENTIFIED THEREIN NOR DOES IT INDICATE THAT THE PROPOSED DEVELOPMENT IS ENVIRONMENTALLY ACCEPTABLE OR WOULD HAVE JUSTIFICATION IN ACCORDANCE WITH APPROPRIATE PUBLIC LAWS.

AIRPORT LAYOUT PLAN

RUNWAY 15 INNER APPROACH SURFACE DRAWING

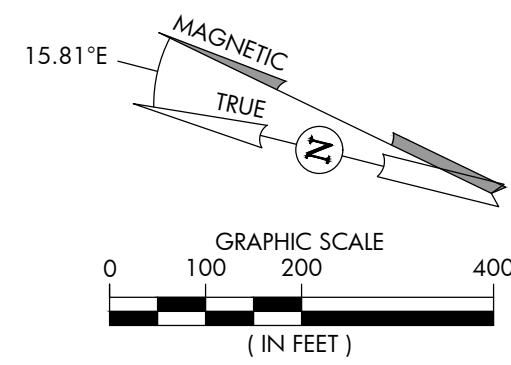
SHEET NO. 13 of 20

AIP PROJ. NO. 3-53-0070-003-2014
JVIATION PROJ. NO. 2014.S43.01
DATE: SEPTEMBER 2018



HARVEY FIELD
SNOHOMISH, WASHINGTON



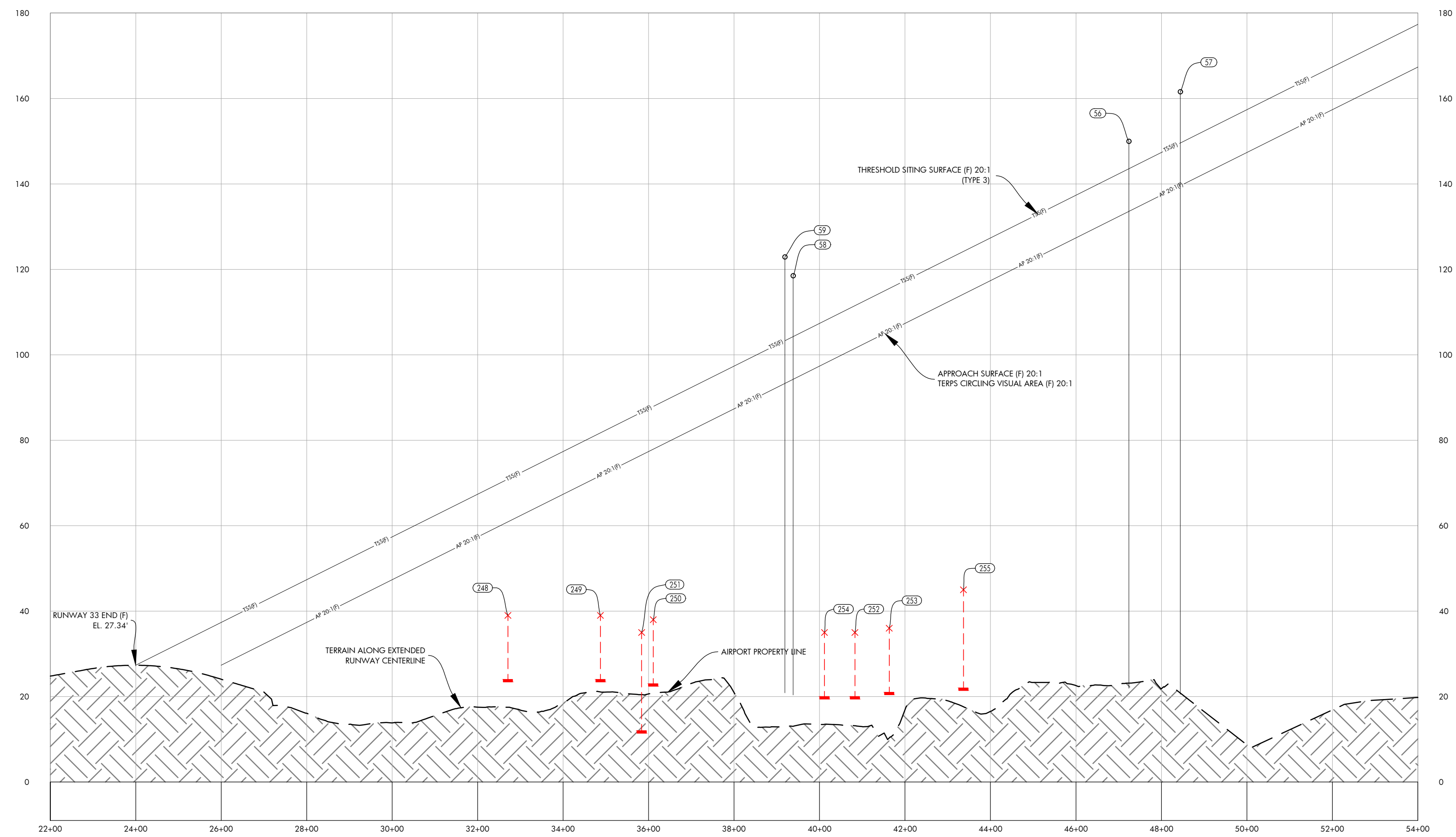
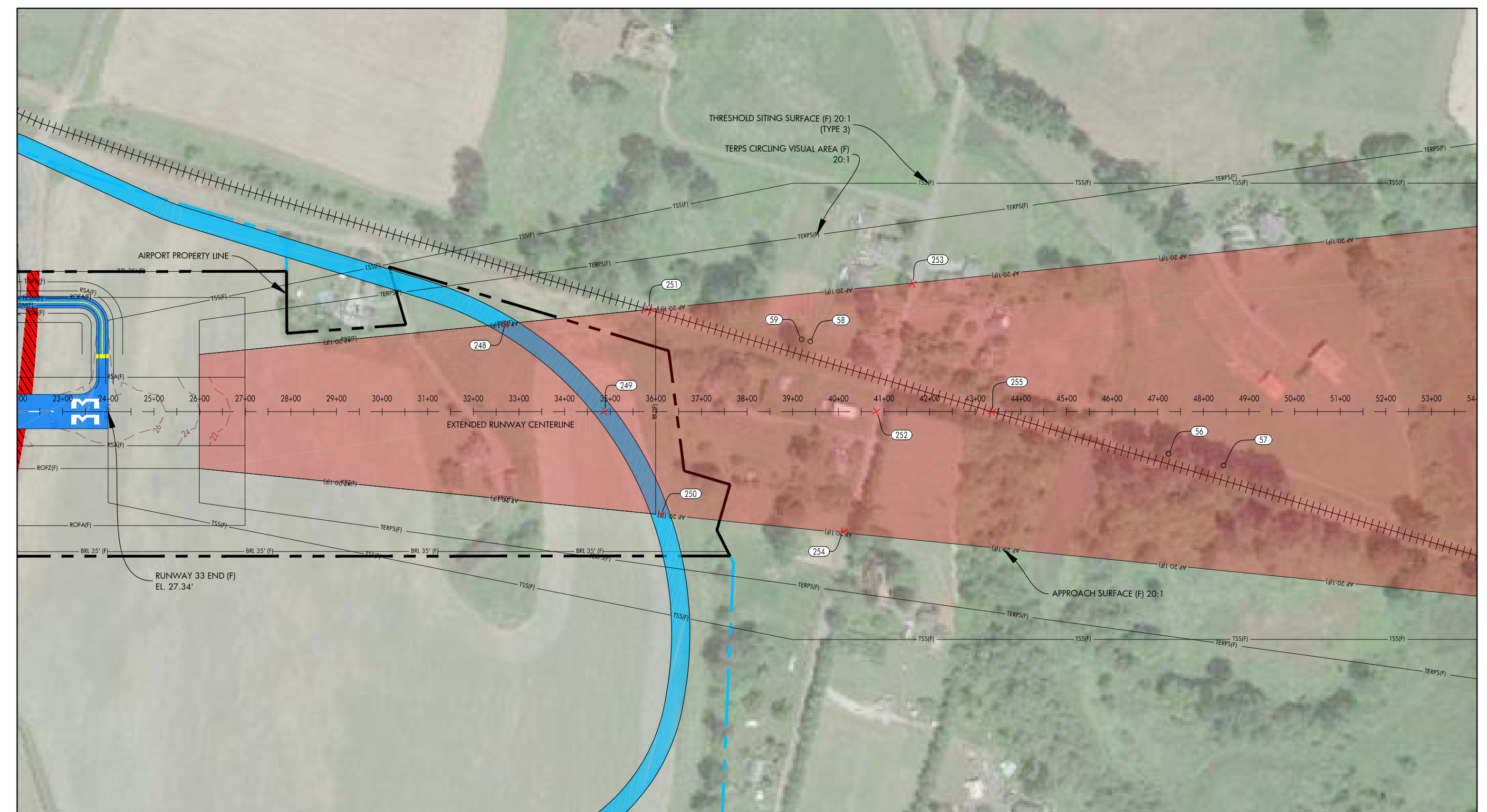


DATE: JULY, 2017
ANNUAL RATE OF CHANGE: 0.14"W
SOURCE: U.S. NCEI

PROFILE
HORIZ: 1" = 200'
VERT: 1" = 20'

RUNWAY 33 APPROACH OBSTACLE TABLE							
OBJECT IDENTIFICATION NO.	OBJECT/DESCRIPTION	GROUND SURFACE ELEVATION (MSL)	ABOVE GROUND LEVEL (AGL)	TOP OF OBJECT ELEVATION (AMSL)	SURFACE REFERENCED	EXISTING SURFACE PENETRATION	DISPOSITION
56	TREE	21.49'	128.45'	149.94'	RUNWAY 33 APPROACH	16.39'	REMOVE
57	TREE	20.42'	141.08'	161.55'	RUNWAY 33 APPROACH	21.99'	REMOVE
58	TREE	20.27'	98.21'	118.48'	RUNWAY 33 APPROACH	24.21'	REMOVE
59	TREE	20.73'	102.15'	122.88'	RUNWAY 33 APPROACH	29.57'	REMOVE

RUNWAY 33 INNER APPROACH ROAD INTERSECTION TABLE							
OBJECT IDENTIFICATION NO.	OBJECT/DESCRIPTION	GROUND SURFACE ELEVATION (MSL)	ABOVE GROUND LEVEL (AGL)	TOP OF OBJECT ELEVATION (AMSL)	SURFACE REFERENCED	EXISTING SURFACE PENETRATION	DISPOSITION
248	ROAD +15'	24.00'	15.00'	39.00'	RUNWAY 33 APPROACH	-21.90'	N/A
249	ROAD +15'	24.00'	15.00'	39.00'	RUNWAY 33 APPROACH	-32.73'	N/A
250	ROAD +15'	23.00'	15.00'	38.00'	RUNWAY 33 APPROACH	-39.90'	N/A
251	ROAD +15'	20.00'	15.00'	35.00'	RUNWAY 33 APPROACH	-41.55'	N/A
252	ROAD +15'	20.00'	15.00'	35.00'	RUNWAY 33 APPROACH	-46.50'	N/A
253	ROAD +15'	21.00'	15.00'	36.00'	RUNWAY 33 APPROACH	-49.52'	N/A
254	ROAD +15'	20.00'	15.00'	35.00'	RUNWAY 33 APPROACH	-42.93'	N/A
255	RAILROAD +23'	22.00'	23.00'	45.00'	RUNWAY 33 APPROACH	-69.20'	N/A



NOTES AND SOURCES

1. THE SITE PLAN AND LINE WORK IS BASED ON THE SNOHOMISH COUNTY GEOGRAPHIC INFORMATION SYSTEM (GIS)
2. OBSTRUCTION DATA FROM AGIS SURVEY PRODUCED BY WSP (6/30/2016)
3. ALL HORIZONTAL COORDINATES - NAD 83/2011 ALL VERTICAL COORDINATES - NAVD 88

DES: R.L.B.
DR: R.L.B.
CH: S.V.B.
APP: M.C.L.

ISSUE RECORD			
NO.	BY	DATE	DESCRIPTION

AIRPORT LAYOUT PLAN

RUNWAY 33 INNER APPROACH SURFACE DRAWING

SHEET NO.
14 of 20

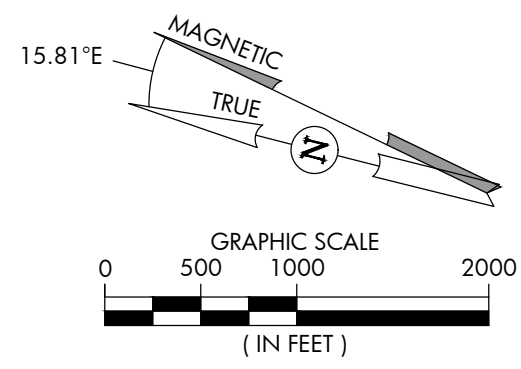
AIP PROJ. NO. 3-53-0070-003-2014
JVIAION PROJ. NO. 2014.S43.01
DATE: SEPTEMBER 2018



HARVEY FIELD
SNOHOMISH, WASHINGTON



THE PREPARATION OF THIS DOCUMENT MAY HAVE BEEN SUPPORTED, IN PART, THROUGH THE AIRPORT IMPROVEMENT PROGRAM FINANCIAL ASSISTANCE FROM THE FEDERAL AVIATION ADMINISTRATION AS PROVIDED UNDER TITLE 49 U.S.C., SECTION 47104. THE COMMENTS DO NOT NECESSARILY REFLECT THE OFFICIAL VIEWS OR POLICY OF THE FAA. ACCEPTANCE OF THIS AIRPORT LAYOUT PLAN BY THE FAA DOES NOT IN ANY WAY CONSTITUTE A COMMITMENT ON THE PART OF THE UNITED STATES TO PARTICIPATE IN ANY DEVELOPMENT DERIVED THEREIN NOR DOES IT INDICATE THAT THE PROPOSED DEVELOPMENT IS ENVIRONMENTALLY ACCEPTABLE OR WOULD HAVE JUSTIFICATION IN ACCORDANCE WITH APPROPRIATE PUBLIC LAWS.

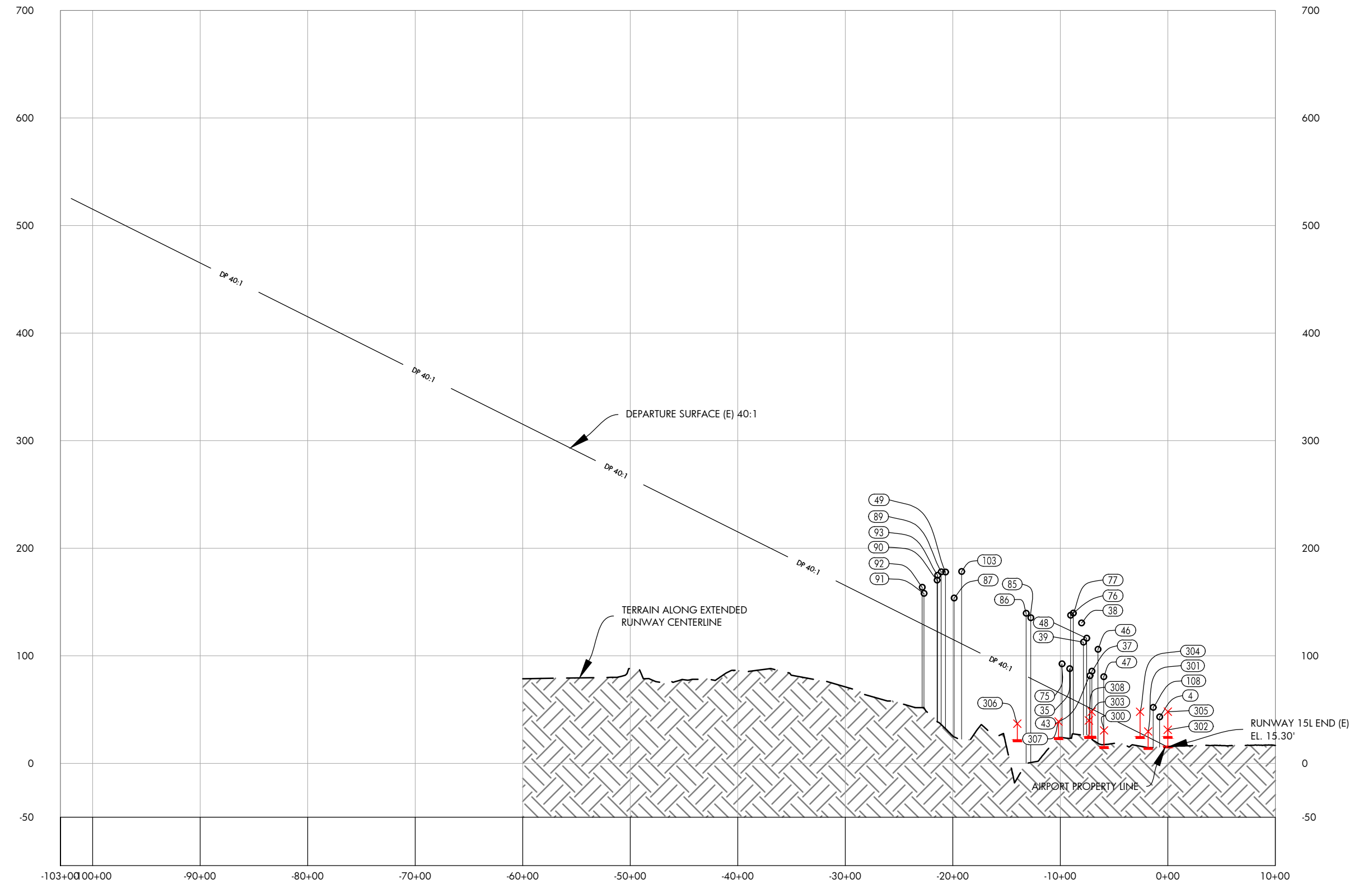


DATE: JULY, 2017
ANNUAL RATE OF CHANGE: 0.14"W
SOURCE: U.S. NCEI

PROFILE
HORIZ: 1" = 1,000'
VERT: 1" = 100'

RUNWAY 15L DEPARTURE SURFACE OBSTACLE TABLE							
OBJECT IDENTIFICATION NO.	OBJECT/DESCRIPTION	GROUND SURFACE ELEVATION (MSL)	ABOVE GROUND LEVEL (AGL)	TOP OF OBJECT ELEVATION (AMSL)	SURFACE REFERENCED	EXISTING SURFACE PENETRATION	DISPOSITION
4	POLE	14.45'	28.79'	43.24'	RUNWAY 15L DEPARTURE	24.08'	MARK/LIGHT
35	TREE	21.79'	66.33'	88.12'	RUNWAY 15L DEPARTURE	27.15'	REMOVE
37	TREE	20.59'	45.10'	65.79'	RUNWAY 15L DEPARTURE	35.11'	REMOVE
38	TREE	20.80'	109.70'	130.50'	RUNWAY 15L DEPARTURE	75.03'	REMOVE
39	TREE	19.93'	92.77'	112.70'	RUNWAY 15L DEPARTURE	58.12'	REMOVE
43	TREE	19.59'	62.05'	81.63'	RUNWAY 15L DEPARTURE	30.02'	REMOVE
46	TREE	12.97'	93.13'	106.10'	RUNWAY 15L DEPARTURE	58.31'	REMOVE
47	TREE	18.11'	62.49'	80.60'	RUNWAY 15L DEPARTURE	35.43'	REMOVE
48	TREE	13.19'	103.25'	116.44'	RUNWAY 15L DEPARTURE	63.35'	REMOVE
49	TREE	17.79'	160.09'	177.88'	RUNWAY 15L DEPARTURE	59.17'	REMOVE
75	TREE	22.92'	69.59'	92.52'	RUNWAY 15L DEPARTURE	27.01'	REMOVE
76	TREE	19.10'	118.67'	137.77'	RUNWAY 15L DEPARTURE	77.23'	REMOVE
77	TREE	8.83'	130.89'	139.72'	RUNWAY 15L DEPARTURE	80.41'	REMOVE
85	TREE	20.16'	115.29'	135.46'	RUNWAY 15L DEPARTURE	56.36'	REMOVE
86	TREE	25.84'	113.71'	139.57'	RUNWAY 15L DEPARTURE	58.35'	REMOVE
87	TREE	26.38'	127.28'	153.66'	RUNWAY 15L DEPARTURE	38.94'	REMOVE
89	TREE	21.03'	157.04'	178.07'	RUNWAY 15L DEPARTURE	57.34'	REMOVE
90	TREE	15.91'	154.47'	170.39'	RUNWAY 15L DEPARTURE	47.76'	REMOVE
91	TREE	12.67'	145.42'	158.09'	RUNWAY 15L DEPARTURE	29.34'	REMOVE
92	TREE	14.12'	149.55'	163.66'	RUNWAY 15L DEPARTURE	34.12'	REMOVE
93	TREE	15.77'	159.19'	174.96'	RUNWAY 15L DEPARTURE	52.56'	REMOVE
103	TREE	22.53'	155.92'	178.45'	RUNWAY 15L DEPARTURE	67.23'	REMOVE
108	UTILITY POLE	14.28'	37.80'	52.08'	RUNWAY 15L DEPARTURE	29.89'	MARK/LIGHT

RUNWAY 15L DEPARTURE SURFACE ROAD INTERSECTION TABLE							
OBJECT IDENTIFICATION NO.	OBJECT/DESCRIPTION	GROUND SURFACE ELEVATION (MSL)	ABOVE GROUND LEVEL (AGL)	TOP OF OBJECT ELEVATION (AMSL)	SURFACE REFERENCED	EXISTING SURFACE PENETRATION	DISPOSITION
300	ROAD +15'	15.72'	15.00'	30.72'	RUNWAY 15L DEPARTURE	-14.28'	N/A
301	ROAD +15'	14.75'	15.00'	29.75'	RUNWAY 15L DEPARTURE	5.26'	MARK/LIGHT
302	ROAD +15'	16.32'	15.00'	31.32'	RUNWAY 15L DEPARTURE	15.96'	MARK/LIGHT
303	RAILROAD +23'	25.18'	23.00'	48.18'	RUNWAY 15L DEPARTURE	-2.54'	N/A
304	RAILROAD +23'	25.05'	23.00'	48.05'	RUNWAY 15L DEPARTURE	19.80'	MARK/LIGHT
305	RAILROAD +23'	25.15'	23.00'	48.15'	RUNWAY 15L DEPARTURE	32.84'	MARK/LIGHT
306	ROAD +15'	22.00'	15.00'	37.00'	RUNWAY 15L DEPARTURE	-8.32'	N/A
307	ROAD +15'	24.00'	15.00'	39.00'	RUNWAY 15L DEPARTURE	-27.13'	N/A
308	ROAD +15'	25.00'	15.00'	40.00'	RUNWAY 15L DEPARTURE	-12.02'	N/A



- NOTES AND SOURCES**
1. THE SITE PLAN AND LINE WORK IS BASED ON THE SNOHOMISH COUNTY GEOGRAPHIC INFORMATION SYSTEM (GIS)
 2. OBSTRUCTION DATA FROM AGIS SURVEY PRODUCED BY WSP (6/30/2016)
 3. ALL HORIZONTAL COORDINATES - NAD 83/2011 ALL VERTICAL COORDINATES - NAVD 88

L:\SCD\AIP-2017\PLANS\15-15-04-DEPT-RUNWAY 15L-13-18.dwg
Sep 21, 2018 - 2:16pm
Spen Jarvis



HARVEY FIELD
SNOHOMISH, WASHINGTON



DES: R.L.B.	ISSUE RECORD			
	NO.	BY	DATE	DESCRIPTION
DR: R.L.B.				
CH: S.V.B.				
APP: M.C.L.				

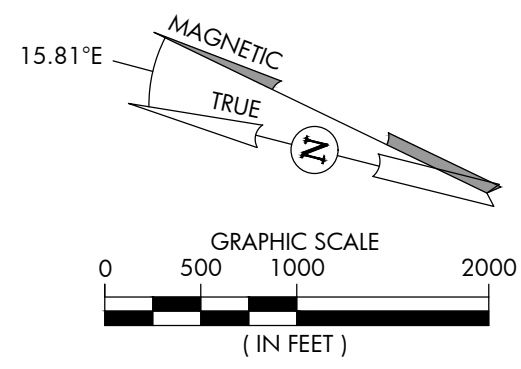
THE PREPARATION OF THIS DOCUMENT MAY HAVE BEEN SUPPORTED, IN PART, THROUGH THE AIRPORT IMPROVEMENT PROGRAM FINANCIAL ASSISTANCE FROM THE FEDERAL AVIATION ADMINISTRATION AS PROVIDED UNDER TITLE 49 U.S.C. SECTION 47104. THE CONTENTS DO NOT NECESSARILY REFLECT THE OFFICIAL VIEWS OR POLICY OF THE FAA. ACCEPTANCE OF THIS AIRPORT LAYOUT PLAN BY THE FAA DOES NOT IN ANY WAY CONSTITUTE A COMMITMENT OR AN ENDORSEMENT BY THE FAA TO PARTICIPATE IN ANY DEVELOPMENT EXHIBITED THEREIN NOR DOES IT INDICATE THAT THE PROPOSED DEVELOPMENT IS ENVIRONMENTALLY ACCEPTABLE OR WOULD HAVE JUSTIFICATION IN ACCORDANCE WITH APPROPRIATE PUBLIC LAWS.

AIRPORT
LAYOUT PLAN

RUNWAY 15L DEPARTURE SURFACE

AIP PROJ. NO. 3-53-0070-003-2014
JVIAATION PROJ. NO. 2014.S43.01
DATE: SEPTEMBER 2018

SHEET NO.
15 of 20

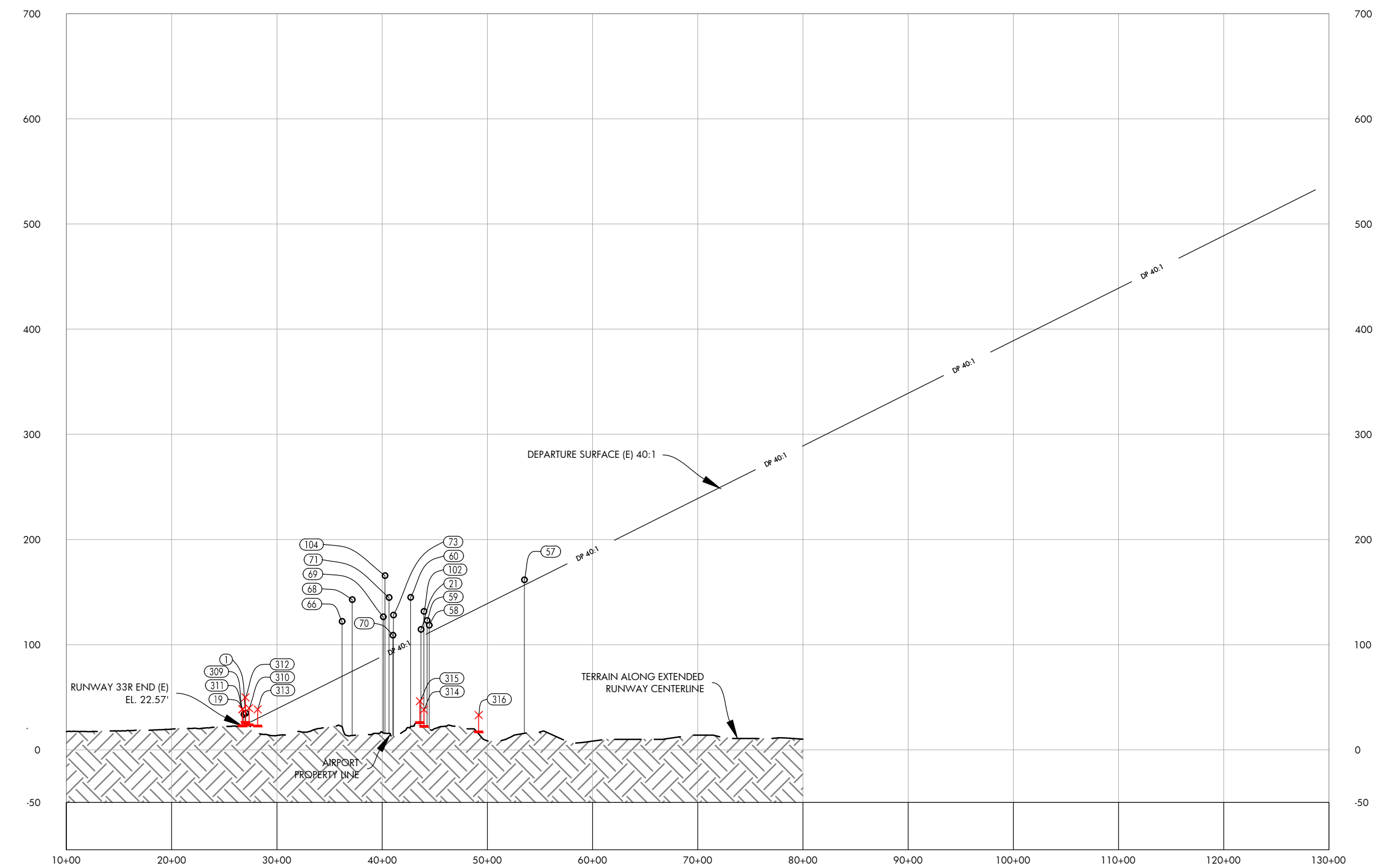
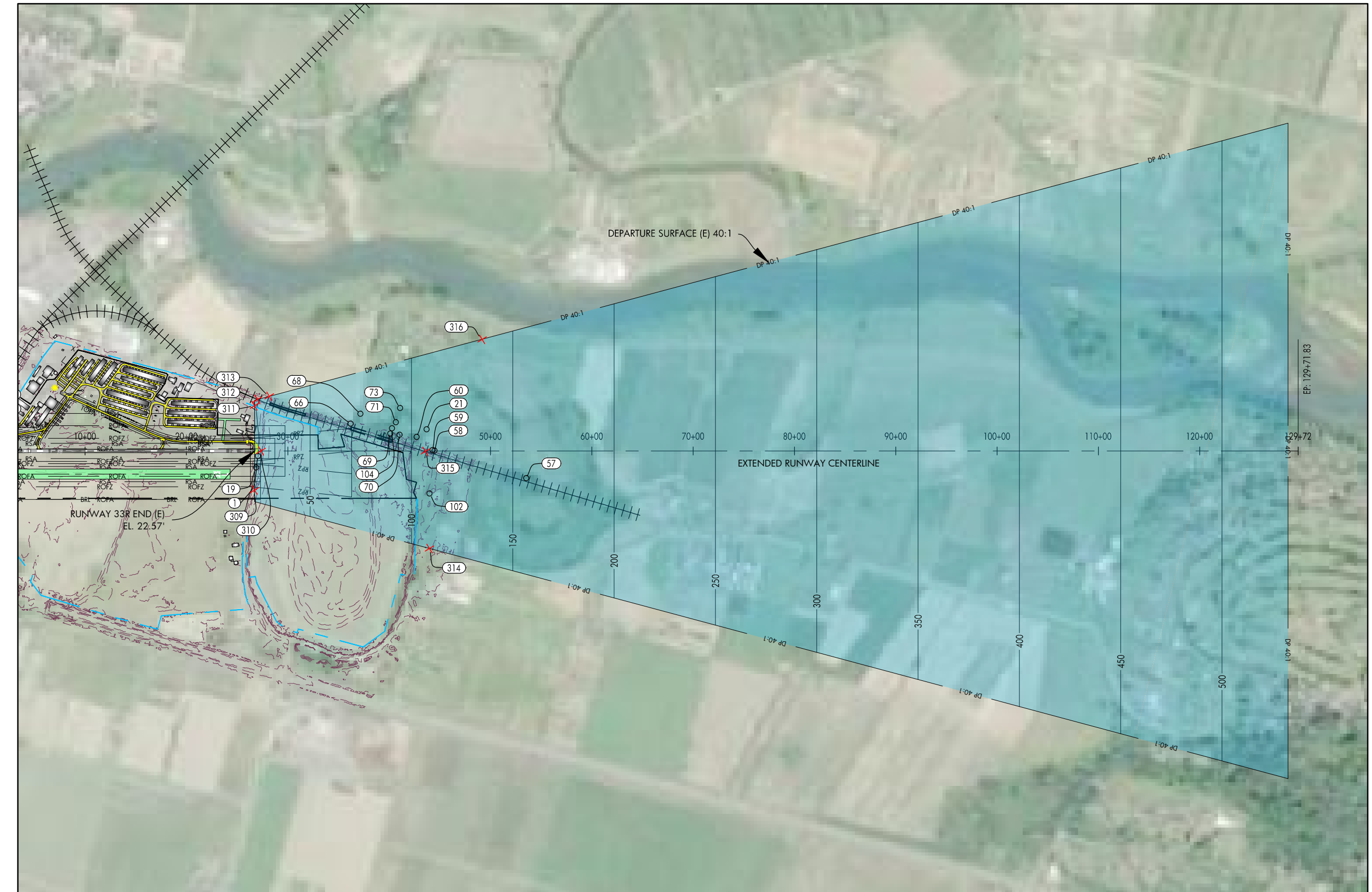


DATE: JULY, 2017
ANNUAL RATE OF CHANGE: 0.14"W
SOURCE: U.S. NCEI

PROFILE
HORIZ: 1" = 1,000'
VERT: 1" = 100'

RUNWAY 33R DEPARTURE SURFACE OBSTACLE TABLE							
OBJECT IDENTIFICATION NO.	OBJECT/DESCRIPTION	GROUND SURFACE ELEVATION (MSL)	ABOVE GROUND LEVEL (AGL)	TOP OF OBJECT ELEVATION (AMSL)	SURFACE REFERENCED	EXISTING SURFACE PENETRATION	DISPOSITION
1	POLE	22.60'	12.14'	34.74'	RUNWAY 33R DEPARTURE	10.54'	MARK/LIGHT
19	SIGN	23.84'	9.58'	33.52'	RUNWAY 33R DEPARTURE	10.26'	MARK/LIGHT
21	TREE	16.77'	97.61'	114.38'	RUNWAY 33R DEPARTURE	6.95'	REMOVE
57	TREE	20.47'	141.08'	161.55'	RUNWAY 33R DEPARTURE	4.95'	REMOVE
58	TREE	20.27'	98.21'	118.48'	RUNWAY 33R DEPARTURE	7.17'	REMOVE
59	TREE	20.73'	102.15'	122.88'	RUNWAY 33R DEPARTURE	12.53'	REMOVE
60	TREE	17.67'	127.25'	144.92'	RUNWAY 33R DEPARTURE	42.41'	REMOVE
66	TREE	21.24'	100.86'	122.10'	RUNWAY 33R DEPARTURE	52.19'	REMOVE
68	TREE	18.42'	124.32'	142.73'	RUNWAY 33R DEPARTURE	68.00'	REMOVE
69	TREE	16.73'	109.69'	126.42'	RUNWAY 33R DEPARTURE	36.87'	REMOVE
70	TREE	15.54'	93.41'	108.95'	RUNWAY 33R DEPARTURE	14.84'	REMOVE
71	TREE	14.77'	129.95'	144.72'	RUNWAY 33R DEPARTURE	52.43'	REMOVE
73	TREE	17.10'	110.91'	128.01'	RUNWAY 33R DEPARTURE	33.63'	REMOVE
102	TREE	20.73'	110.88'	131.61'	RUNWAY 33R DEPARTURE	22.79'	REMOVE
104	TREE	16.19'	149.33'	165.52'	RUNWAY 33R DEPARTURE	75.17'	REMOVE

RUNWAY 33R DEPARTURE SURFACE ROAD INTERSECTION TABLE							
OBJECT IDENTIFICATION NO.	OBJECT/DESCRIPTION	GROUND SURFACE ELEVATION (MSL)	ABOVE GROUND LEVEL (AGL)	TOP OF OBJECT ELEVATION (AMSL)	SURFACE REFERENCED	EXISTING SURFACE PENETRATION	DISPOSITION
309	ROAD +15'	23.76'	15.00'	38.76'	RUNWAY 33R DEPARTURE	16.16'	MARK/LIGHT
310	RAILROAD +23'	16.54'	23.00'	39.54'	RUNWAY 33R DEPARTURE	13.77'	MARK/LIGHT
311	ROAD +15'	23.44'	15.00'	38.44'	RUNWAY 33R DEPARTURE	15.86'	MARK/LIGHT
312	ROAD +15'	26.87'	15.00'	41.87'	RUNWAY 33R DEPARTURE	17.85'	MARK/LIGHT
313	ROAD +15'	23.44'	15.00'	38.44'	RUNWAY 33R DEPARTURE	8.58'	MARK/LIGHT
314	ROAD +15'	23.11'	15.00'	38.11'	RUNWAY 33R DEPARTURE	-70.76'	N/A
315	RAILROAD +23'	15.28'	23.00'	38.28'	RUNWAY 33R DEPARTURE	-82.94'	N/A
316	ROAD +15'	18.00'	15.00'	33.00'	RUNWAY 33R DEPARTURE	-101.87'	N/A



- NOTES AND SOURCES**
1. THE SITE PLAN AND LINE WORK IS BASED ON THE SNOHOMISH COUNTY GEOGRAPHIC INFORMATION SYSTEM (GIS)
 2. OBSTRUCTION DATA FROM AGIS SURVEY PRODUCED BY WSP (6/30/2016)
 3. ALL HORIZONTAL COORDINATES - NAD 83/2011 ALL VERTICAL COORDINATES - NAVD 88

U:\SCD\AIP-2017\PLANS\15-15-S4-S4-BFT-RUNWAY 33R-13R.dwg
Sep 21, 2018 - 2:16pm
Spen Davis



HARVEY FIELD
SNOHOMISH, WASHINGTON



DES: R.L.B.
DR: R.L.B.
CH: S.V.B.
APP: M.C.L.

ISSUE RECORD				
NO.	BY	DATE	DESCRIPTION	

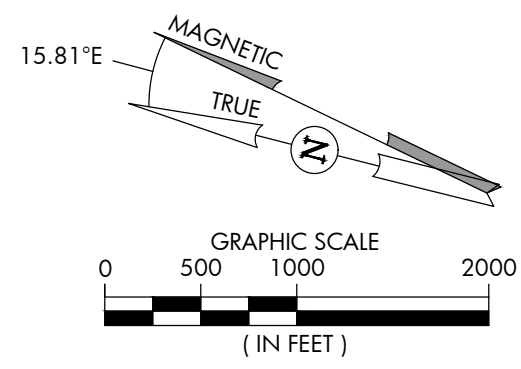
THE PREPARATION OF THIS DOCUMENT MAY HAVE BEEN SUPPORTED, IN PART, THROUGH THE AIRPORT IMPROVEMENT PROGRAM FINANCIAL ASSISTANCE FROM THE FEDERAL AVIATION ADMINISTRATION AS PROVIDED UNDER TITLE 49 U.S.C. SECTION 47104. THE CONTENTS DO NOT NECESSARILY REFLECT THE OFFICIAL VIEWS OR POLICY OF THE FAA. ACCEPTANCE OF THIS AIRPORT LAYOUT PLAN BY THE FAA DOES NOT IN ANY WAY CONSTITUTE A COMMITMENT OR THE PART OF THE UNITED STATES TO PARTICIPATE IN ANY DEVELOPMENT INDICATED THEREIN NOR DOES IT INDICATE THAT THE PROPOSED DEVELOPMENT IS ENVIRONMENTALLY ACCEPTABLE OR WOULD HAVE JUSTIFICATION IN ACCORDANCE WITH APPROPRIATE PUBLIC LAWS.

AIRPORT
LAYOUT PLAN

RUNWAY 33R DEPARTURE SURFACE

AIP PROJ. NO. 3-53-0070-003-2014
JVIAATION PROJ. NO. 2014.S43.01
DATE: SEPTEMBER 2018

SHEET NO.
16 of 20

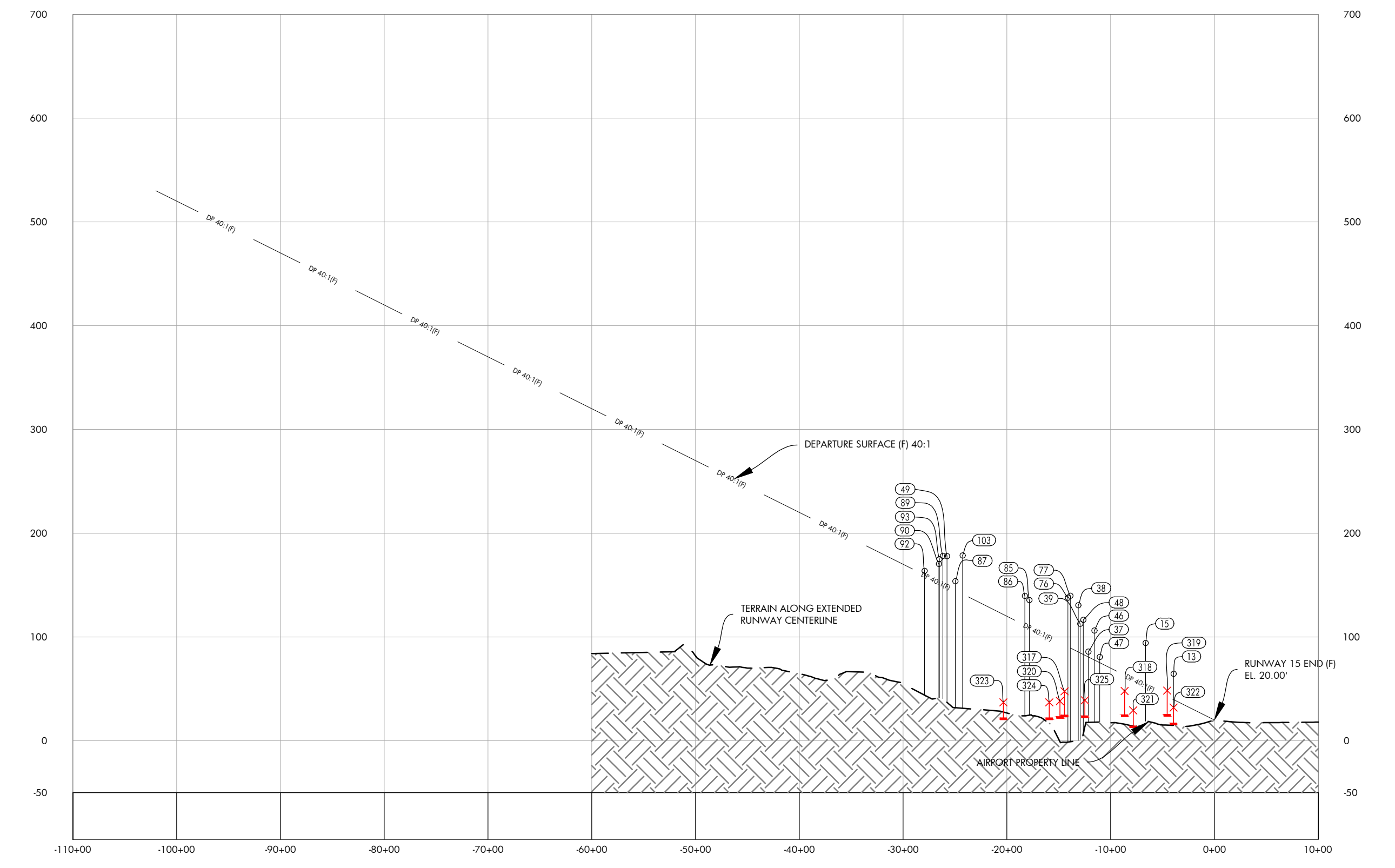
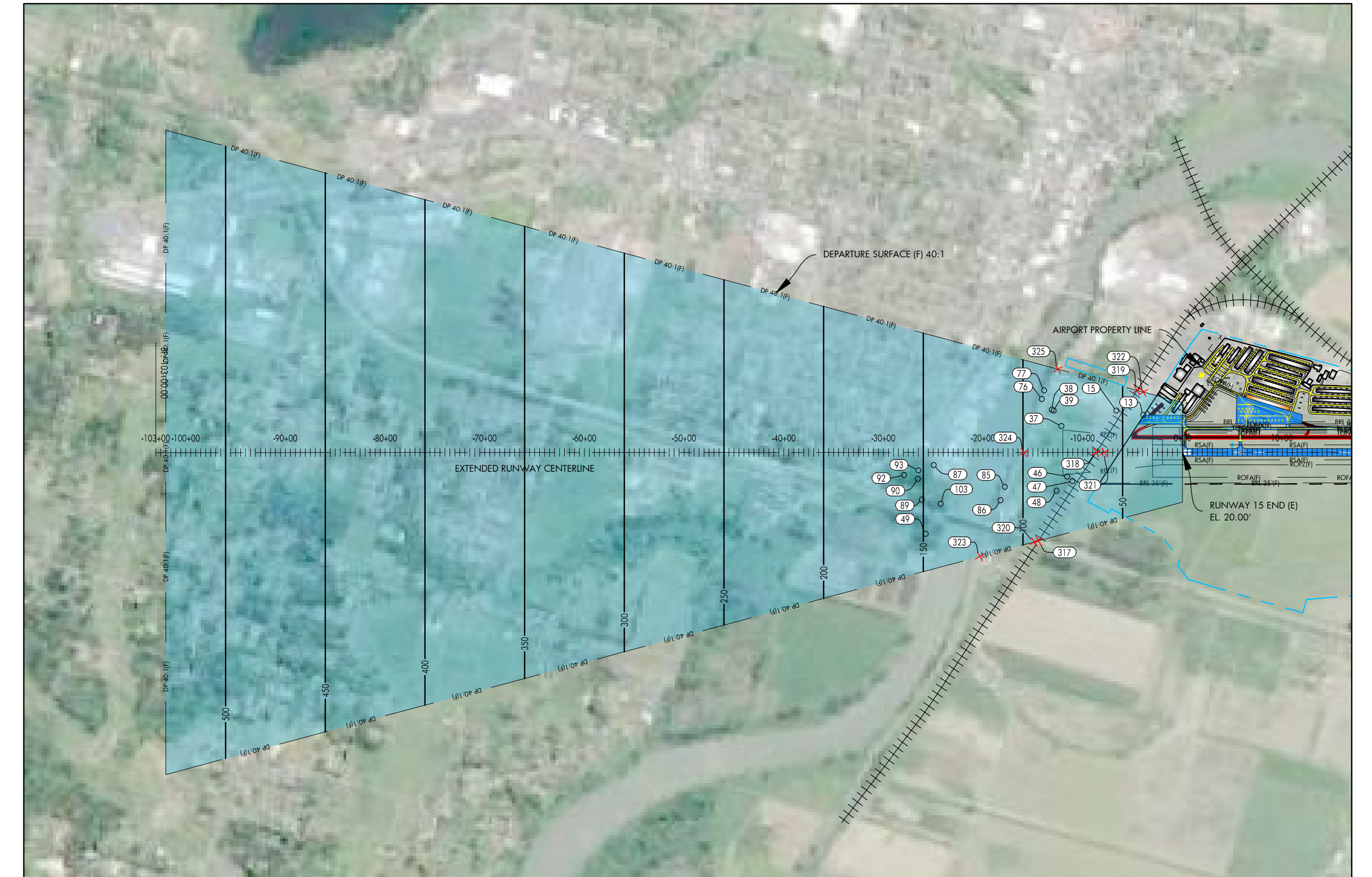


DATE: JULY, 2017
ANNUAL RATE OF CHANGE: 0.14"W
SOURCE: U.S. NCEI

PROFILE
HORIZ: 1" = 1,000'
VERT: 1" = 100'

RUNWAY 15 DEPARTURE SURFACE OBSTACLE TABLE							
OBJECT IDENTIFICATION NO.	OBJECT/DESCRIPTION	GROUND SURFACE ELEVATION (MSL)	ABOVE GROUND LEVEL (AGL)	TOP OF OBJECT ELEVATION (AMSL)	SURFACE REFERENCED	EXISTING SURFACE PENETRATION	DISPOSITION
13	POLE	15.22'	49.28'	64.50'	RUNWAY 15 DEPARTURE	24.80'	MARK/LIGHT
15	TREE	21.97'	72.19'	94.16'	RUNWAY 15 DEPARTURE	40.93'	REMOVE
37	TREE	20.69'	65.10'	85.79'	RUNWAY 15 DEPARTURE	4.99'	REMOVE
38	TREE	20.80'	109.70'	130.50'	RUNWAY 15 DEPARTURE	44.91'	REMOVE
39	TREE	19.93'	92.77'	112.70'	RUNWAY 15 DEPARTURE	28.01'	REMOVE
46	TREE	12.97'	93.13'	106.10'	RUNWAY 15 DEPARTURE	28.20'	REMOVE
47	TREE	18.11'	62.49'	80.60'	RUNWAY 15 DEPARTURE	5.31'	REMOVE
48	TREE	13.19'	103.25'	116.44'	RUNWAY 15 DEPARTURE	33.23'	REMOVE
49	TREE	17.79'	160.09'	177.88'	RUNWAY 15 DEPARTURE	29.06'	REMOVE
76	TREE	19.10'	118.67'	137.77'	RUNWAY 15 DEPARTURE	47.11'	REMOVE
77	TREE	8.83'	130.89'	139.72'	RUNWAY 15 DEPARTURE	50.29'	REMOVE
85	TREE	20.16'	115.29'	135.46'	RUNWAY 15 DEPARTURE	26.24'	REMOVE
86	TREE	25.86'	113.71'	139.57'	RUNWAY 15 DEPARTURE	28.23'	REMOVE
87	TREE	26.38'	127.28'	153.66'	RUNWAY 15 DEPARTURE	8.82'	REMOVE
89	TREE	21.03'	157.04'	178.07'	RUNWAY 15 DEPARTURE	27.22'	REMOVE
90	TREE	15.91'	154.47'	170.39'	RUNWAY 15 DEPARTURE	17.64'	REMOVE
92	TREE	14.12'	149.55'	163.66'	RUNWAY 15 DEPARTURE	4.00'	REMOVE
93	TREE	15.77'	159.19'	174.96'	RUNWAY 15 DEPARTURE	22.44'	REMOVE
103	TREE	22.53'	155.92'	178.45'	RUNWAY 15 DEPARTURE	37.11'	REMOVE

RUNWAY 15 DEPARTURE SURFACE ROAD INTERSECTION TABLE							
OBJECT IDENTIFICATION NO.	OBJECT/DESCRIPTION	GROUND SURFACE ELEVATION (MSL)	ABOVE GROUND LEVEL (AGL)	TOP OF OBJECT ELEVATION (AMSL)	SURFACE REFERENCED	EXISTING SURFACE PENETRATION	DISPOSITION
317	RAILROAD +23'	24.70'	23.00'	47.70'	RUNWAY 15 DEPARTURE	44.53'	N/A
318	RAILROAD +23'	24.93'	23.00'	47.93'	RUNWAY 15 DEPARTURE	15.35'	N/A
319	RAILROAD +23'	25.35'	23.00'	48.35'	RUNWAY 15 DEPARTURE	5.56'	MARK/LIGHT
320	ROAD +15'	23.24'	15.00'	38.24'	RUNWAY 15 DEPARTURE	56.18'	N/A
321	ROAD +15'	14.24'	15.00'	29.24'	RUNWAY 15 DEPARTURE	29.91'	N/A
322	ROAD +15'	17.03'	15.00'	32.03'	RUNWAY 15 DEPARTURE	7.66'	N/A
323	ROAD +15'	22.00'	15.00'	37.00'	RUNWAY 15 DEPARTURE	84.69'	N/A
324	ROAD +15'	22.00'	15.00'	37.00'	RUNWAY 15 DEPARTURE	62.58'	N/A
325	ROAD +15'	24.00'	15.00'	39.00'	RUNWAY 15 DEPARTURE	43.48'	N/A



- NOTES AND SOURCES**
1. THE SITE PLAN AND LINE WORK IS BASED ON THE SNOHOMISH COUNTY GEOGRAPHIC INFORMATION SYSTEM (GIS)
 2. OBSTRUCTION DATA FROM AGIS SURVEY PRODUCED BY WSP (6/30/2016)
 3. ALL HORIZONTAL COORDINATES - NAD 83/2011 ALL VERTICAL COORDINATES - NAVD 88

U:\S43\AIP-2017\PLANS\17-15-S43-DEPT-RUNWAY 15-31.dwg
Sep 21, 2018 - 2:17pm
Spen Jones



HARVEY FIELD
SNOHOMISH, WASHINGTON



DES: R.L.B.
DR: R.L.B.
CH: S.V.B.
APP: M.C.L.

ISSUE RECORD				
NO.	BY	DATE	DESCRIPTION	

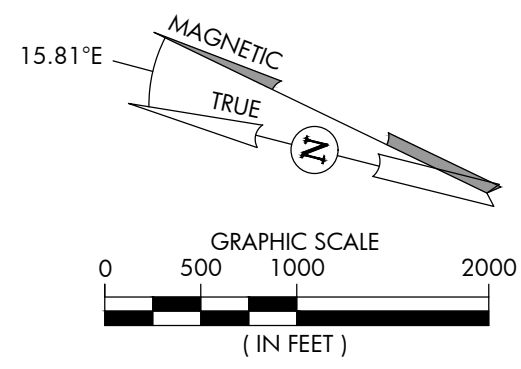
THE PREPARATION OF THIS DOCUMENT MAY HAVE BEEN SUPPORTED, IN PART, THROUGH THE AIRPORT IMPROVEMENT PROGRAM FINANCIAL ASSISTANCE FROM THE FEDERAL AVIATION ADMINISTRATION AS PROVIDED UNDER TITLE 49 U.S.C. SECTION 47104. THE CONTENTS DO NOT NECESSARILY REFLECT THE OFFICIAL VIEWS OR POLICY OF THE FAA. ACCEPTANCE OF THIS AIRPORT LAYOUT PLAN BY THE FAA DOES NOT IN ANY WAY CONSTITUTE A COMMITMENT OR THE PART OF THE UNITED STATES TO PARTICIPATE IN ANY DEVELOPMENT SUBJECT THEREIN NOR DOES IT INDICATE THAT THE PROPOSED DEVELOPMENT IS ENVIRONMENTALLY ACCEPTABLE OR WOULD HAVE JUSTIFICATION IN ACCORDANCE WITH APPROPRIATE PUBLIC LAWS.

AIRPORT
LAYOUT PLAN

RUNWAY 15 DEPARTURE SURFACE

AIP PROJ. NO. 3-53-0070-003-2014
JVIAATION PROJ. NO. 2014.S43.01
DATE: SEPTEMBER 2018

SHEET NO.
17 of 20

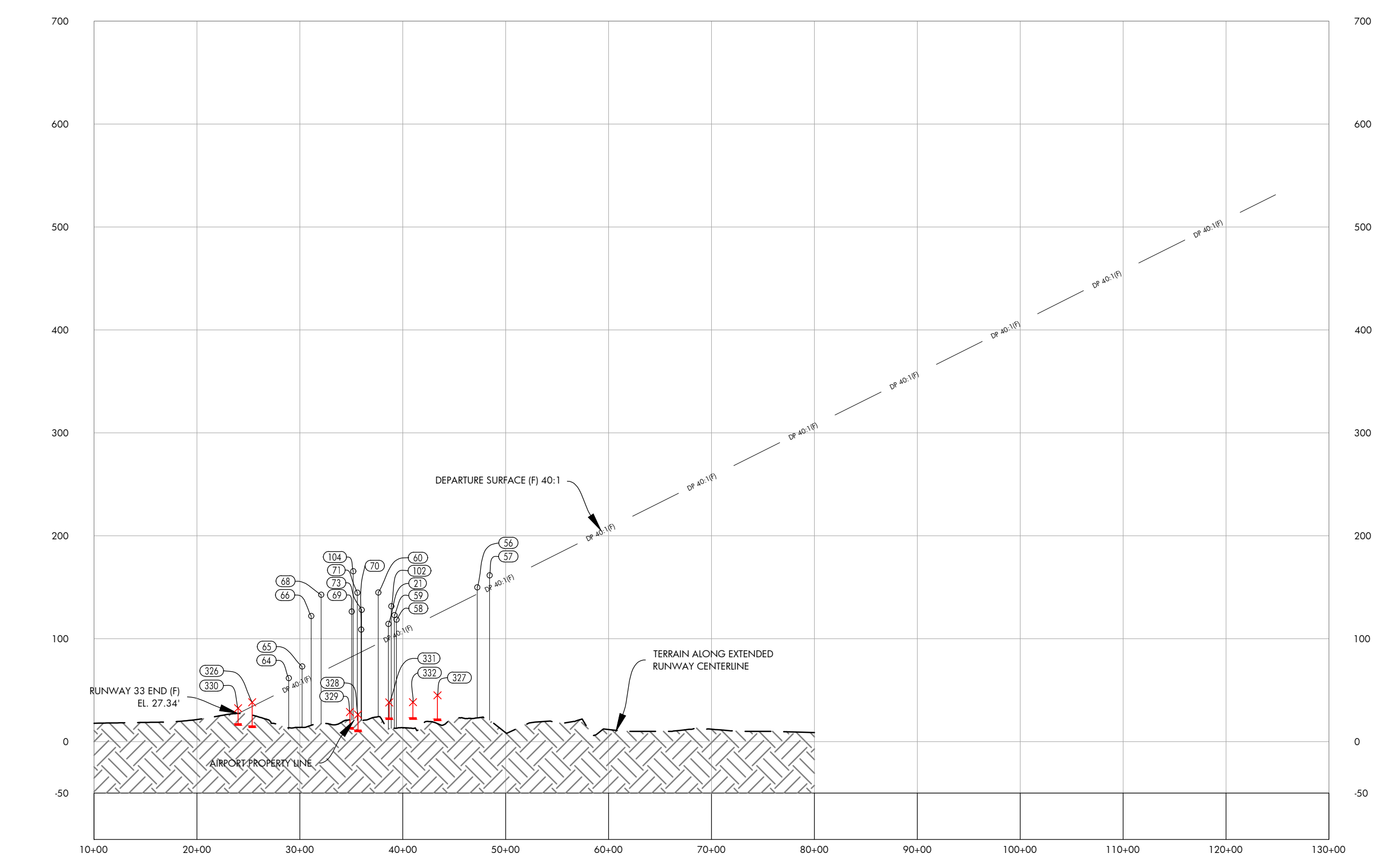
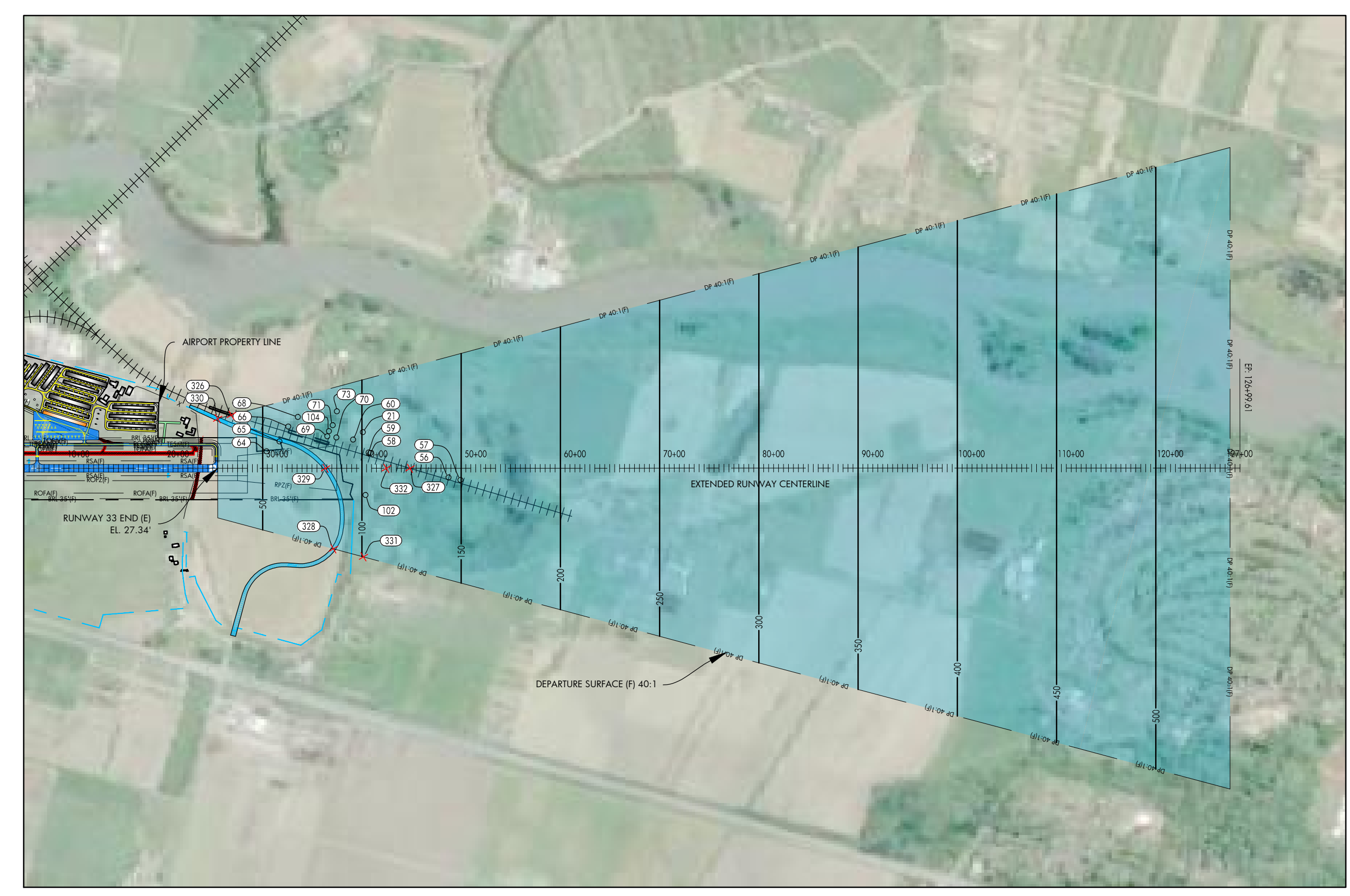


DATE: JULY, 2017
ANNUAL RATE OF CHANGE: 0.14"W
SOURCE: U.S. NCEI

PROFILE
HORIZ: 1" = 1,000'
VERT: 1" = 100'

RUNWAY 33 DEPARTURE SURFACE OBSTACLE TABLE							
OBJECT IDENTIFICATION NO.	OBJECT/DESCRIPTION	GROUND SURFACE ELEVATION (MSL)	ABOVE GROUND LEVEL (AGL)	TOP OF OBJECT ELEVATION (AMSL)	SURFACE REFERENCED	EXISTING SURFACE PENETRATION	DISPOSITION
21	TREE	16.77'	97.61'	114.38'	RUNWAY 33 DEPARTURE	6.95'	REMOVE
56	TREE	21.49'	128.45'	149.94'	RUNWAY 33 DEPARTURE	6.39'	REMOVE
57	TREE	20.47'	141.08'	161.55'	RUNWAY 33 DEPARTURE	11.99'	REMOVE
58	TREE	20.27'	98.21'	118.48'	RUNWAY 33 DEPARTURE	14.21'	REMOVE
59	TREE	20.73'	102.15'	122.88'	RUNWAY 33 DEPARTURE	19.57'	REMOVE
60	TREE	17.67'	127.25'	144.92'	RUNWAY 33 DEPARTURE	49.44'	REMOVE
64	TREE	20.13'	41.50'	61.63'	RUNWAY 33 DEPARTURE	9.70'	REMOVE
65	TREE	22.15'	50.85'	73.00'	RUNWAY 33 DEPARTURE	14.59'	REMOVE
66	TREE	21.34'	100.86'	122.10'	RUNWAY 33 DEPARTURE	59.23'	REMOVE
68	TREE	18.42'	124.32'	142.73'	RUNWAY 33 DEPARTURE	75.04'	REMOVE
69	TREE	16.73'	109.69'	126.42'	RUNWAY 33 DEPARTURE	43.91'	REMOVE
70	TREE	15.54'	93.41'	108.95'	RUNWAY 33 DEPARTURE	21.88'	REMOVE
71	TREE	14.77'	129.95'	144.72'	RUNWAY 33 DEPARTURE	59.46'	REMOVE
73	TREE	17.10'	110.91'	128.01'	RUNWAY 33 DEPARTURE	40.67'	REMOVE
102	TREE	20.73'	110.88'	131.61'	RUNWAY 33 DEPARTURE	29.63'	REMOVE
104	TREE	16.19'	149.33'	165.52'	RUNWAY 33 DEPARTURE	82.20'	REMOVE

RUNWAY 33 DEPARTURE SURFACE ROAD INTERSECTION TABLE							
OBJECT IDENTIFICATION NO.	OBJECT/DESCRIPTION	GROUND SURFACE ELEVATION (MSL)	ABOVE GROUND LEVEL (AGL)	TOP OF OBJECT ELEVATION (AMSL)	SURFACE REFERENCED	EXISTING SURFACE PENETRATION	DISPOSITION
326	RAILROAD +23'	15.31'	23.00'	38.31'	RUNWAY 15 DEPARTURE	4.13'	MARK/LIGHT
327	RAILROAD +23'	22.00'	23.00'	45.00'	RUNWAY 15 DEPARTURE	-79.24'	N/A
328	ROAD +15'	11.31'	15.00'	26.31'	RUNWAY 15 DEPARTURE	-59.33'	N/A
329	ROAD +15'	13.82'	15.00'	28.82'	RUNWAY 15 DEPARTURE	-52.87'	N/A
330	ROAD +15'	17.52'	15.00'	32.52'	RUNWAY 15 DEPARTURE	5.17'	MARK/LIGHT
331	ROAD +15'	23.11'	15.00'	38.11'	RUNWAY 15 DEPARTURE	-62.70'	N/A
332	ROAD +15'	23.40'	15.00'	38.40'	RUNWAY 15 DEPARTURE	-73.91'	N/A



NOTES AND SOURCES

1. THE SITE PLAN AND LINE WORK IS BASED ON THE SNOHOMISH COUNTY GEOGRAPHIC INFORMATION SYSTEM (GIS)
2. OBSTRUCTION DATA FROM AGIS SURVEY PRODUCED BY WSP (6/30/2016)
3. ALL HORIZONTAL COORDINATES - NAD 83/2011 ALL VERTICAL COORDINATES - NAVD 88

U:\SCD\AIP-2017\PLANS

17-05-S4-DEP-RUNWAY 15-33.dwg
Sep 21, 2018 - 2:17pm
SpenJavis



HARVEY FIELD
SNOHOMISH, WASHINGTON



DES: R.L.B.
DR: R.L.B.
CH: S.V.B.
APP: M.C.L.

ISSUE RECORD			
NO.	BY	DATE	DESCRIPTION

THE PREPARATION OF THIS DOCUMENT MAY HAVE BEEN SUPPORTED, IN PART, THROUGH THE AIRPORT IMPROVEMENT PROGRAM FINANCIAL ASSISTANCE FROM THE FEDERAL AVIATION ADMINISTRATION AS PROVIDED UNDER TITLE 49 U.S.C. SECTION 47104. THE CONTENTS DO NOT NECESSARILY REFLECT THE OFFICIAL VIEWS OR POLICY OF THE FAA. ACCEPTANCE OF THIS AIRPORT LAYOUT PLAN BY THE FAA DOES NOT IN ANY WAY CONSTITUTE A COMMITMENT ON THE PART OF THE UNITED STATES TO PARTICIPATE IN ANY DEVELOPMENT DICTATED THEREIN NOR DOES IT INDICATE THAT THE PROPOSED DEVELOPMENT IS ENVIRONMENTALLY ACCEPTABLE OR WOULD HAVE JUSTIFICATION IN ACCORDANCE WITH APPROPRIATE PUBLIC LAWS.

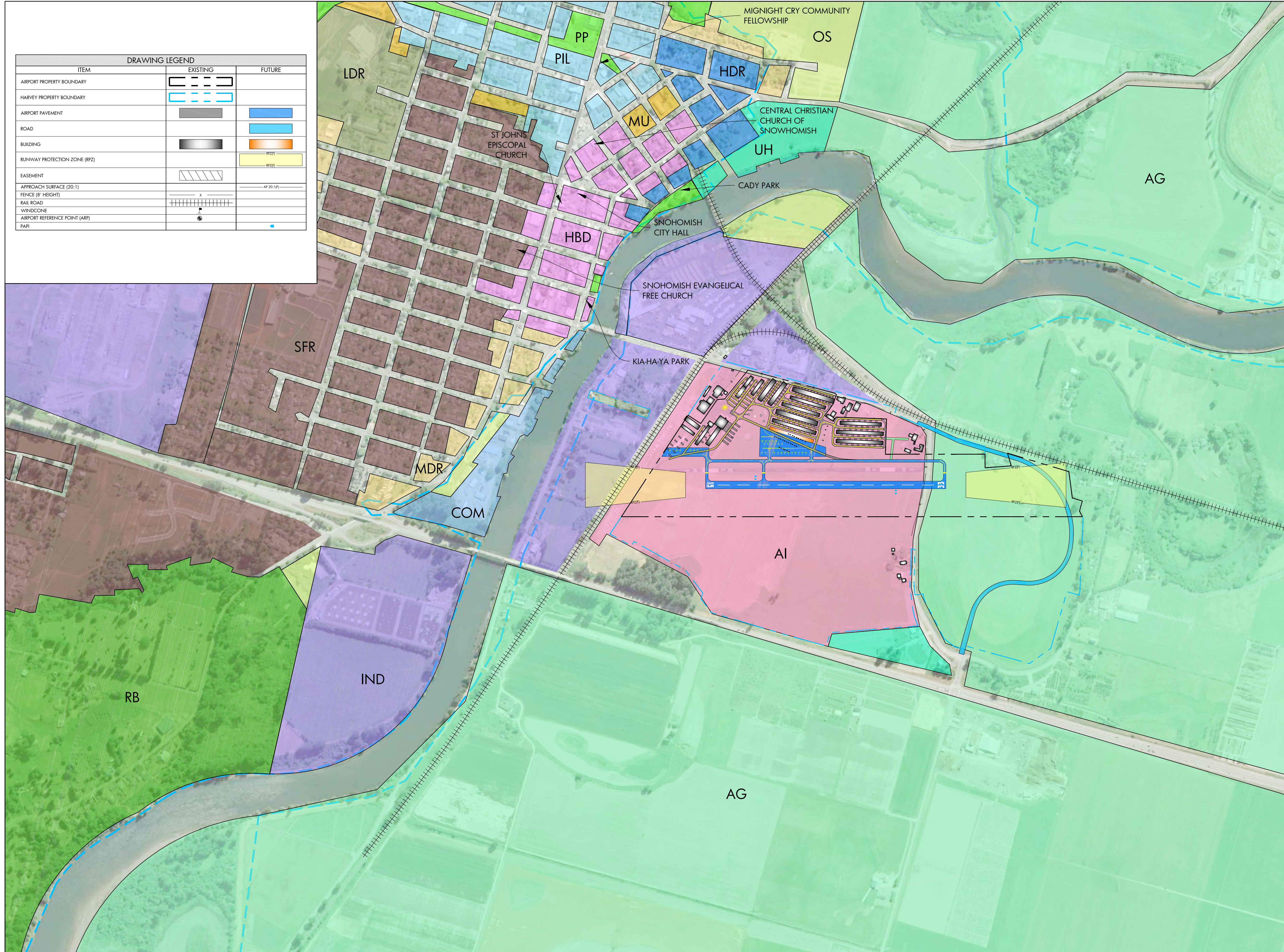
AIRPORT
LAYOUT PLAN

RUNWAY 33 DEPARTURE SURFACE

AIP PROJ. NO. 3-53-0070-003-2014
JVIAATION PROJ. NO. 2014.S43.01
DATE: SEPTEMBER 2018

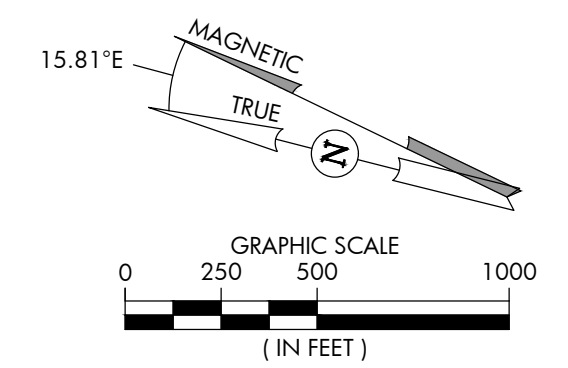
SHEET NO.
18 of 20

DRAWING LEGEND		
ITEM	EXISTING	FUTURE
AIRPORT PROPERTY BOUNDARY		
HARVEY PROPERTY BOUNDARY		
AIRPORT PAVEMENT		
ROAD		
BUILDING		
RUNWAY PROTECTION ZONE (RPZ)		
EASEMENT		
APPROACH SURFACE (20:1)		
FENCE (8' HEIGHT)		
RAIL ROAD		
WINDCONE		
AIRPORT REFERENCE POINT (ARP)		
PARI		



LAND USE LEGEND

- SFR SINGLE FAMILY
- LDR LOW-DENSITY RESIDENTIAL
- MDR MEDIUM-DENSITY RESIDENTIAL
- HDR HIGH-DENSITY RESIDENTIAL
- PIL PILCHUCK DISTRICT
- COM COMMERCIAL
- HBD HISTORIC BUSINESS
- MU MIX USE
- IND INDUSTRIAL
- AI AIRPORT INDUSTRY
- UH URBAN HORTICULTURE
- PP PARKS
- OS OPEN SPACE
- RB RURAL BUSINESS
- AG AGRICULTURAL
- 100 YEAR FLOOD PLANE



DATE: JULY, 2017
ANNUAL RATE OF CHANGE: 0.14"/W
SOURCE: U.S. NCEI

- NOTES AND SOURCES
- THE SITE PLAN AND LINE WORK IS BASED ON THE SNOHOMISH COUNTY GEOGRAPHIC INFORMATION SYSTEM (GIS)
 - ALL HORIZONTAL COORDINATES - NAD 83/2011
ALL VERTICAL COORDINATES - NAVD 88
 - LAND USE INFORMATION COMPILED FROM ARCGIS WEBSITE [HTTPS://WWW.ARCGIS.COM/HOME/WEBMAP/VIEWER.HTML](https://www.arcgis.com/home/webmap/viewer.html)
LAST MODIFIED AUGUST 29, 2018

USA 5/21/17 2:17 PM
19-543-LAND USE.dwg
Sep 21, 2018 2:17 PM
Shon-Johns



HARVEY FIELD
SNOHOMISH, WASHINGTON



DES: R.L.B.	ISSUE RECORD			
	NO.	BY	DATE	DESCRIPTION
DR: R.L.B.				
CH: S.V.B.				
APP: M.C.L.				

THE PREPARATION OF THIS DOCUMENT MAY HAVE BEEN SUPPORTED, IN PART, THROUGH THE AIRPORT IMPROVEMENT PROGRAM FINANCIAL ASSISTANCE FROM THE FEDERAL AVIATION ADMINISTRATION AS PROVIDED UNDER TITLE 49 U.S.C., SECTION 47104. THE CONTENTS DO NOT NECESSARILY REFLECT THE OFFICIAL VIEWS OR POLICY OF THE FAA. ACCEPTANCE OF THIS AIRPORT LAYOUT PLAN BY THE FAA DOES NOT IN ANY WAY CONSTITUTE A COMMITMENT ON THE PART OF THE UNITED STATES TO PARTICIPATE IN ANY DEVELOPMENT DEDICATED THEREIN NOR DOES IT INDICATE THAT THE PROPOSED DEVELOPMENT IS ENVIRONMENTALLY ACCEPTABLE OR WOULD HAVE JUSTIFICATION IN ACCORDANCE WITH APPROPRIATE PUBLIC LAWS.

AIRPORT
LAYOUT PLAN

LAND USE PLAN

SHEET NO.
19 of 20

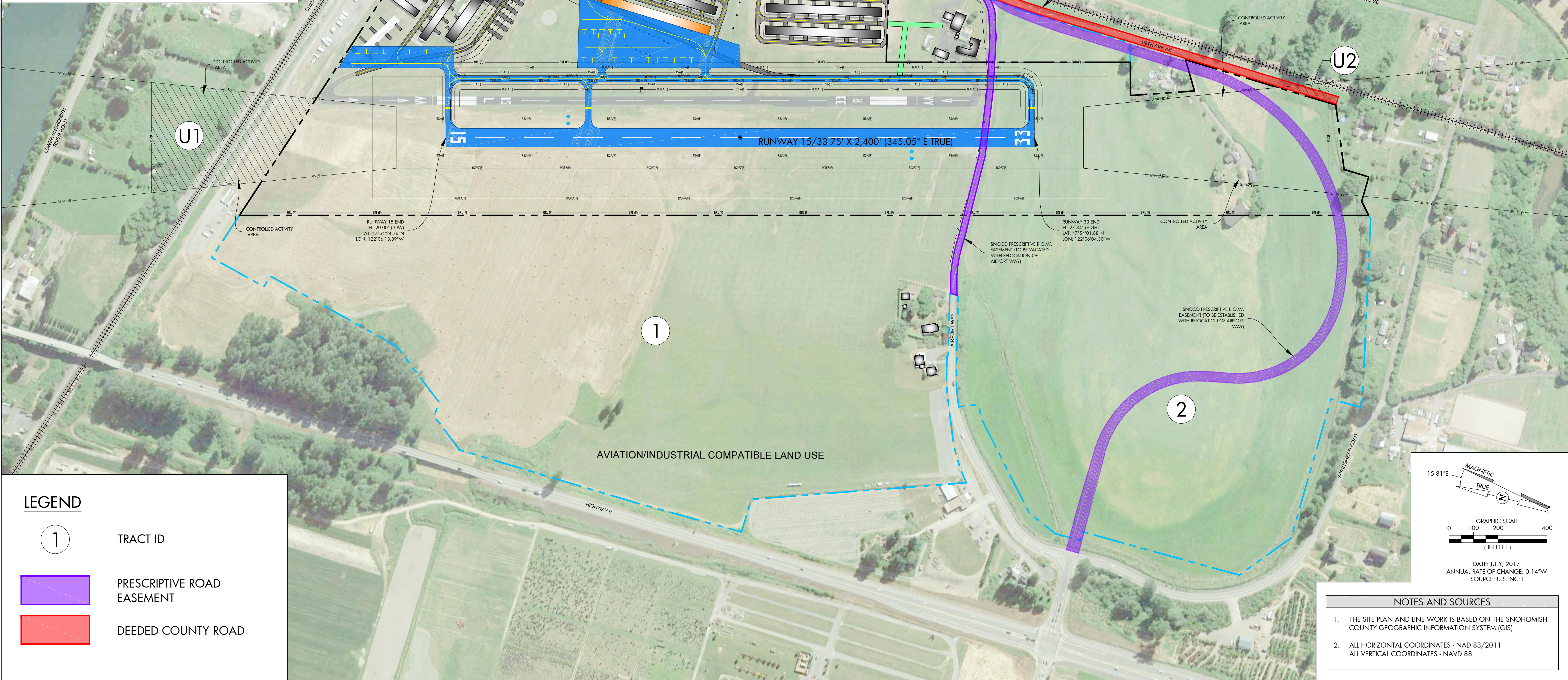
AIP PROJ. NO.
3-53-0070-003-2014

JVIATION PROJ. NO.
2014.S43.01

DATE:
SEPTEMBER 2018

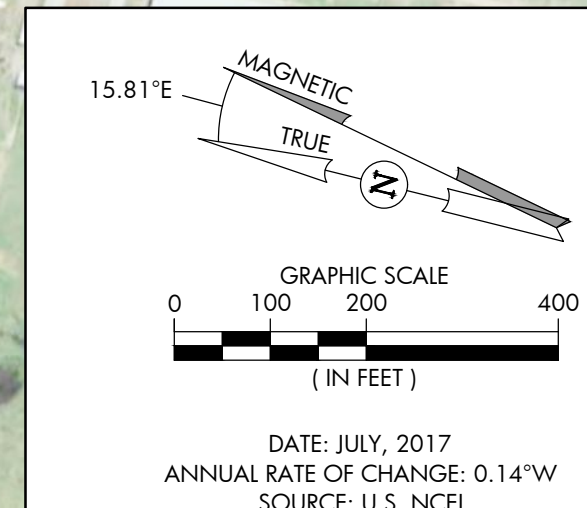
DRAWING LEGEND		
ITEM	EXISTING	FUTURE
AIRPORT PROPERTY BOUNDARY		
HARVEY PROPERTY BOUNDARY		
AIRPORT PAVEMENT		
ROAD		
TURF TAXIWAY		
BUILDING		
RUNWAY PROTECTION ZONE (RPZ)		
EASEMENT		
BUILDING RESTRICTION LINE		BR 35 (F)
RUNWAY OBJECT FREE AREA (ROFA)		ROFA (F)
RUNWAY SAFETY AREA (RSA)		RSA (F)
TAXIWAY OBJECT FREE AREA (TOFA)		TOFA (F)
TAXIWAY SAFETY AREA (TSA)		TSA (F)
TAXIWAY EDGE SAFETY MARGIN (TESM)		TESM (F)
OBJECT FREE ZONE - RUNWAY (OFZ)		OFZ (F)
APPROACH SURFACE (20:1)		AP 20 (F)
FENCE (8' HEIGHT)		
RAIL ROAD		
WINDCONE		
AIRPORT REFERENCE POINT (ARP)		
PAPI		

AIRPORT PROPERTY TABLE						
EXISTING AIRPORT PROPERTY ACQUISITION						
TRACT/PARCEL	CURRENT PROPERTY OWNER	DESCRIPTION OF ACQUISITION	ACREAGE	PROPERTY INTEREST	DATE ACQUIRED	FEDERAL PROJECT NO.
TRACT 1	HARVEY FIELD	FEE SIMPLE OWNERSHIP	145	OWNER	1859	NONE
TRACT 2	HARVEY FIELD	FEE SIMPLE OWNERSHIP	72	OWNER	2002	NONE
FUTURE AIRPORT PROPERTY ACQUISITION						
TRACT U1	N/A	EASEMENT	4.65	OWNER	N/A	N/A
TRACT U2	N/A	EASEMENT	0.21	OWNER	N/A	N/A



LEGEND

- TRACT ID
- PRESCRIPTIVE ROAD EASEMENT
- DEEDED COUNTY ROAD



- NOTES AND SOURCES**
- THE SITE PLAN AND LINE WORK IS BASED ON THE SNOHOMISH COUNTY GEOGRAPHIC INFORMATION SYSTEM (GIS)
 - ALL HORIZONTAL COORDINATES - NAD 83/2011
ALL VERTICAL COORDINATES - NAVD 88

U:\S43\MAP-2017\PLANET
 2017-09-21-ALP-EXHA.dwg
 Sep 21, 2018 - 2:18pm
 Stan-Johns



HARVEY FIELD
SNOHOMISH, WASHINGTON



DES: R.L.B.	ISSUE RECORD			
	NO.	BY	DATE	DESCRIPTION
DR: R.L.B.				
CH: S.V.B.				
APP: M.C.L.				

THE PREPARATION OF THIS DOCUMENT MAY HAVE BEEN SUPPORTED, IN PART, THROUGH THE AIRPORT IMPROVEMENT PROGRAM FINANCIAL ASSISTANCE FROM THE FEDERAL AVIATION ADMINISTRATION AS PROVIDED UNDER TITLE 49 U.S.C., SECTION 47104. THE CONTENTS DO NOT NECESSARILY REFLECT THE OFFICIAL VIEWS OR POLICY OF THE FAA. ACCEPTANCE OF THIS AIRPORT LAYOUT PLAN BY THE FAA DOES NOT IN ANY WAY CONSTITUTE A COMMITMENT ON THE PART OF THE UNITED STATES TO PARTICIPATE IN ANY DEVELOPMENT DERIVED THEREIN NOR DOES IT INDICATE THAT THE PROPOSED DEVELOPMENT IS ENVIRONMENTALLY ACCEPTABLE OR WOULD HAVE JUSTIFICATION IN ACCORDANCE WITH APPROPRIATE PUBLIC LAWS.

AIRPORT
LAYOUT PLAN

AIRPORT PROPERTY MAP

SHEET NO.
20 of 20

AIP PROJ. NO. 3-53-0070-003-2014	JVIATION PROJ. NO. 2014.S43.01	DATE: SEPTEMBER 2018
-------------------------------------	-----------------------------------	-------------------------